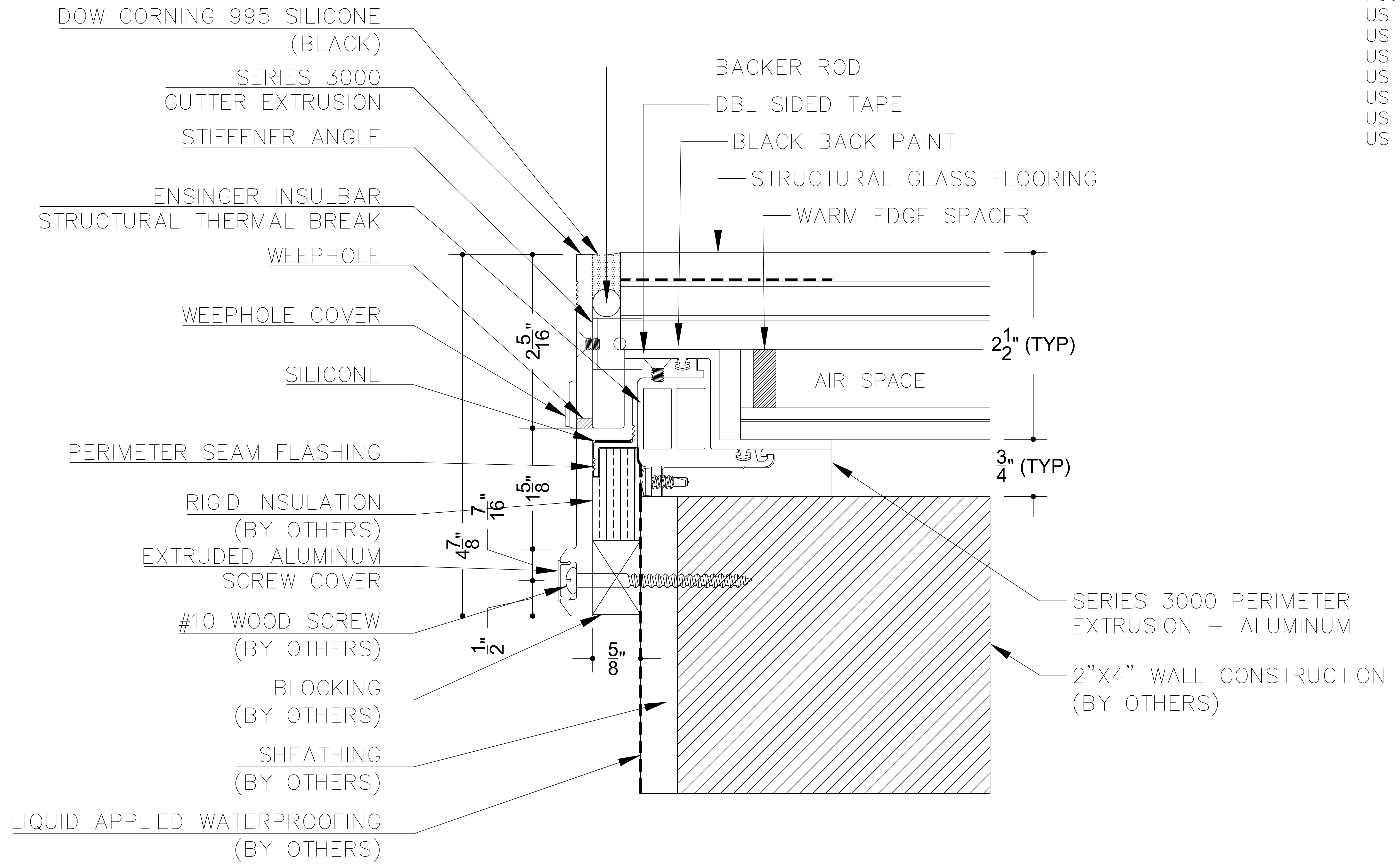


Patent #'s  
 US 9,874,018  
 US 9,909,309  
 US 9,920,532  
 US 9,797,140  
 US 9,777,531  
 US 9,598,867  
 US 9,441,378

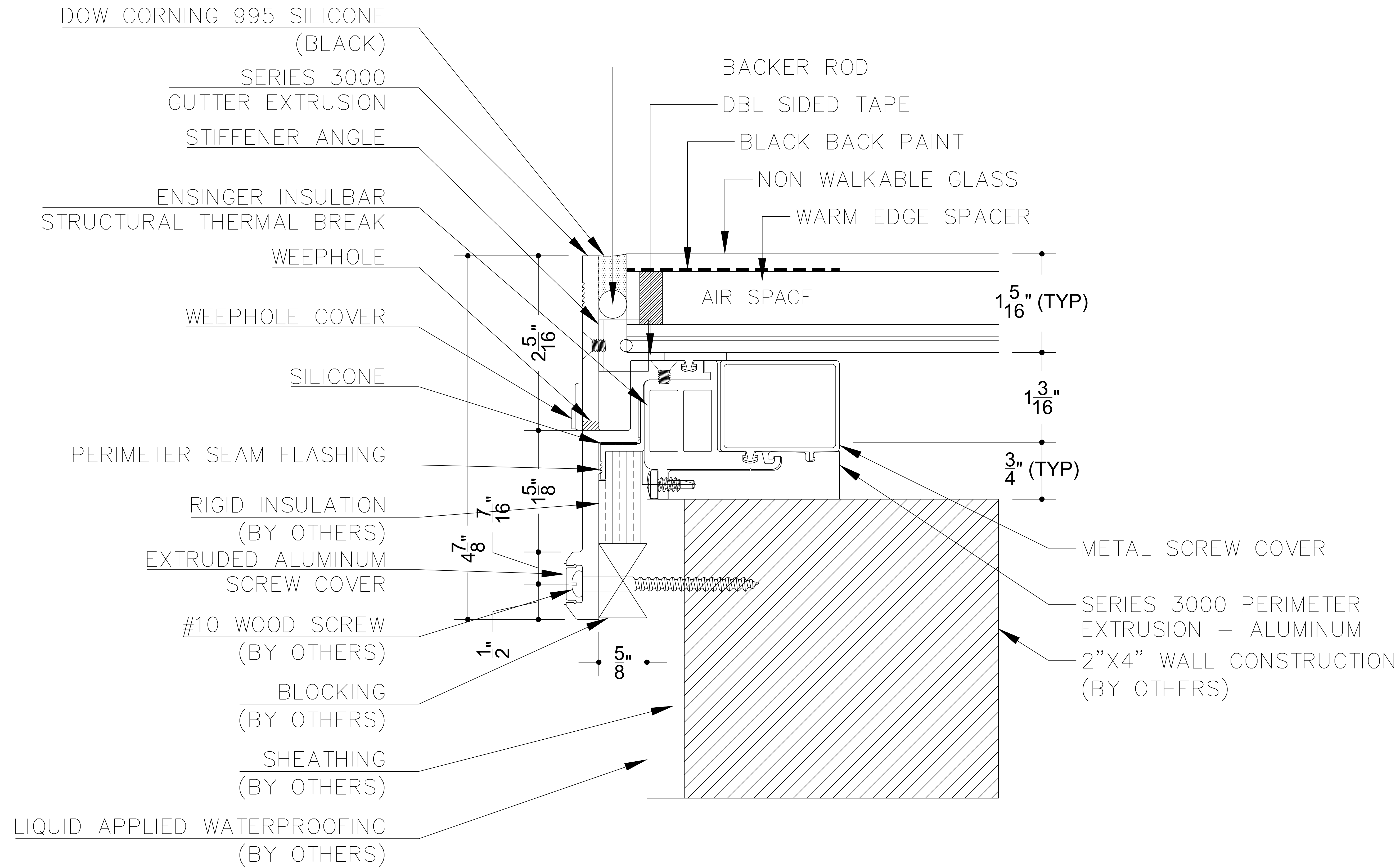


SkyFloor® Series 3000 Extruded Perimeter With Warm Edge Spacer  
 Extended Gutter Extrusion



MANUFACTURER		Glass Flooring Systems, Inc. 6 Aaron Way Unit 1 Sparta, NJ 07871	
PROJECT		SkyFloor® Series 3000 Perimeter Extrusion With Warm Edge Spacer - Extended Gutter Extrusion	
SCALE: 1.5:1		ALL ELEVATIONS ARE VIEWED FROM EXTERIOR	
DRAWN	DATE	SHEET	
GFS	12/12/25	SkyFloor Series 3000	1 of 5

Patent #'s  
 US 9,874,018  
 US 9,909,309  
 US 9,920,532  
 US 9,797,140  
 US 9,777,531  
 US 9,598,867  
 US 9,441,378

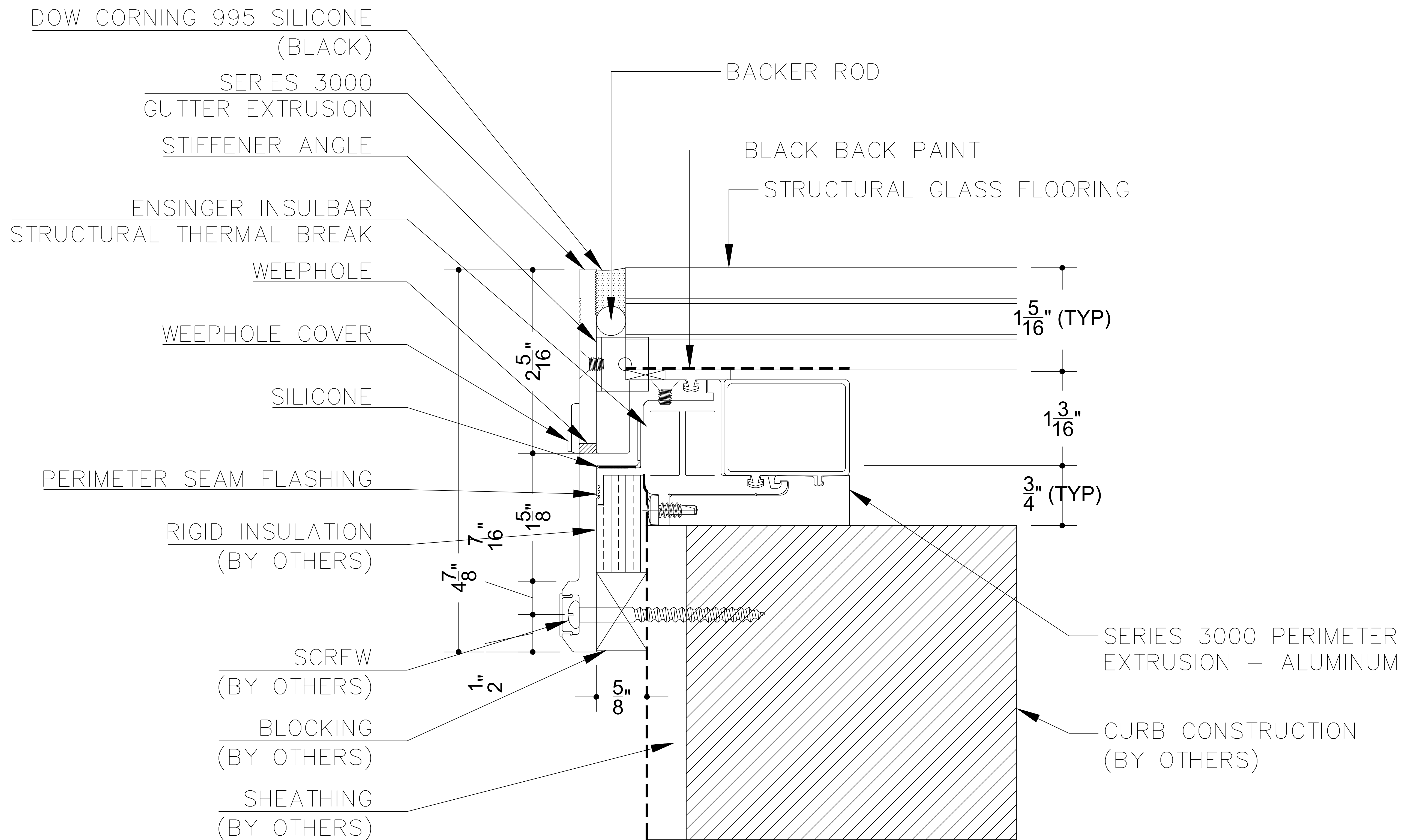


SkyFloor® Series 3000 Extruded Perimeter With Warm Edge Spacer  
 Extended Gutter Extrusion Non Walkable Glass



MANUFACTURER		Glass Flooring Systems, Inc. 6 Aaron Way Unit 1 Sparta, NJ 07871	
PROJECT		SkyFloor® Series 3000 Perimeter Extrusion With Warm Edge Spacer - Extended Gutter Extrusion	
SCALE:		1.5:1 ALL ELEVATIONS ARE VIEWED FROM EXTERIOR	
DRAWN	DATE	SHEET	
GFS	12/12/25	SkyFloor Series 3000	2 of 5

Patent #'s  
 US 9,874,018  
 US 9,909,309  
 US 9,920,532  
 US 9,797,140  
 US 9,777,531  
 US 9,598,867  
 US 9,441,378

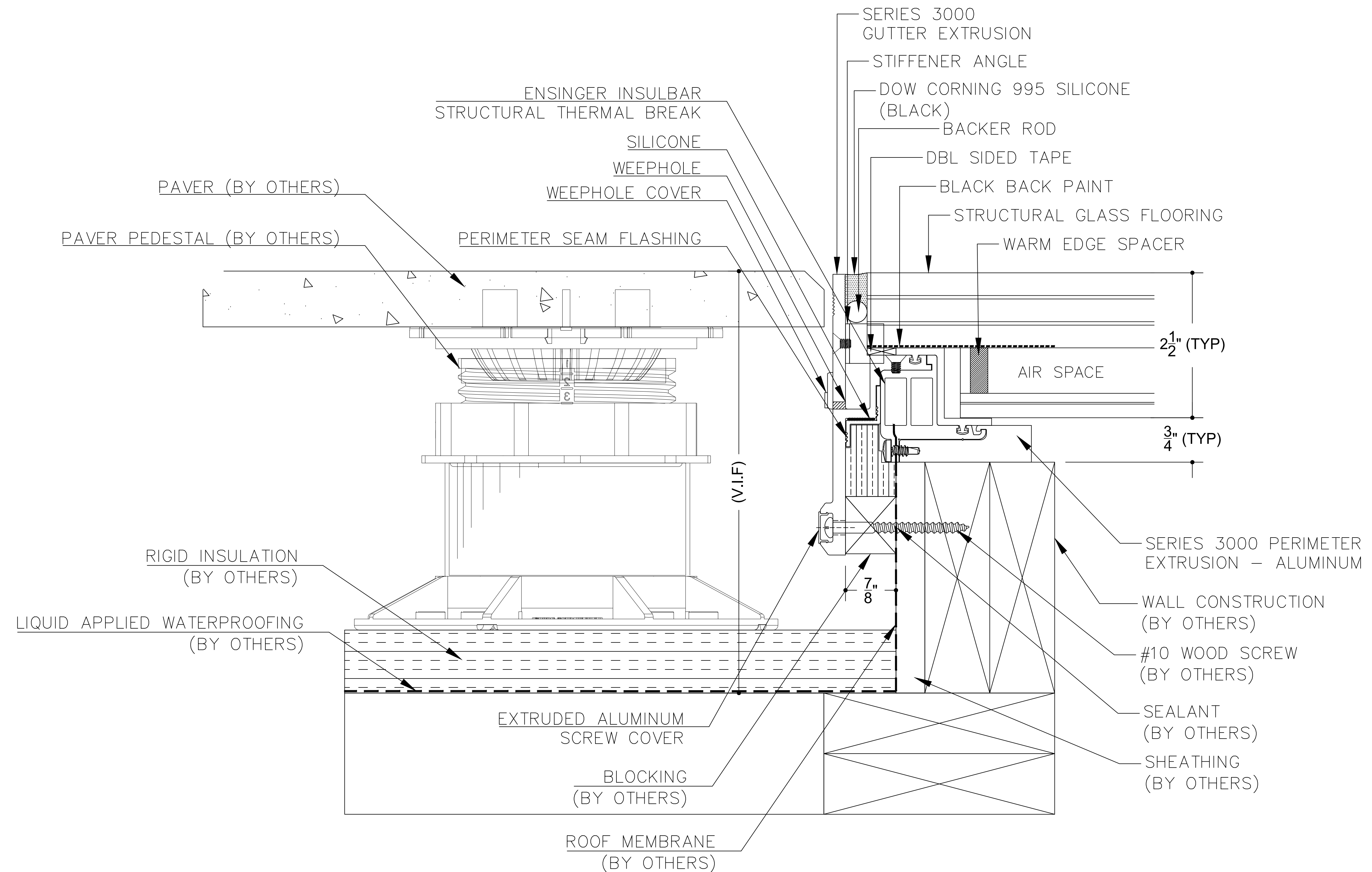


SkyFloor® Series 3000 Extruded Perimeter With Warm Edge Spacer  
 Extended Gutter Extrusion Structural Glass



MANUFACTURER Glass Flooring Systems, Inc. 6 Aaron Way Unit 1 Sparta, NJ 07871			
PROJECT SkyFloor® Series 3000 Perimeter Extrusion With Warm Edge Spacer - Extended Gutter Extrusion			
SCALE: 1.5:1 ALL ELEVATIONS ARE VIEWED FROM EXTERIOR			
DRAWN GFS	DATE 12/12/25	SKYFLOOR Series 3000	SHEET 3 of 5

Patent #'s  
 US 9,874,018  
 US 9,909,309  
 US 9,920,532  
 US 9,797,140  
 US 9,777,531  
 US 9,598,867  
 US 9,441,378

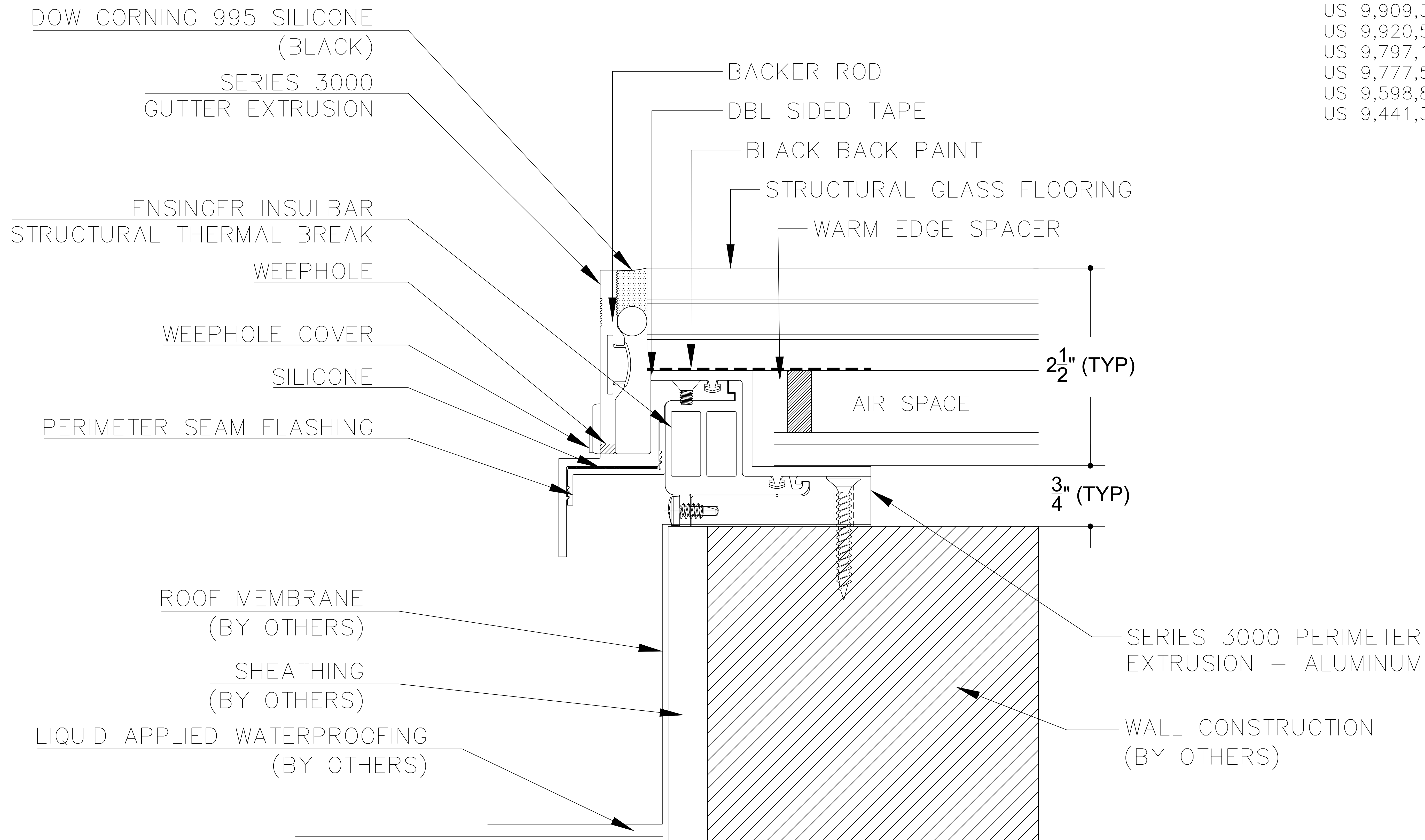


SkyFloor® Series 3000 Extruded Perimeter With Warm Edge Spacer  
 Extended Gutter Extrusion Structural Glass



MANUFACTURER		Glass Flooring Systems, Inc. 6 Aaron Way Unit 1 Sparta, NJ 07871	
PROJECT		SkyFloor® Series 3000 Perimeter Extrusion With Warm Edge Spacer - Extended Gutter Extrusion	
SCALE: 1.5:1		ALL ELEVATIONS ARE VIEWED FROM EXTERIOR	
DRAWN	DATE	SHEET	
GFS	12/12/25	SkyFloor Series 3000	4 of 5

Patent #'s  
 US 9,874,018  
 US 9,909,309  
 US 9,920,532  
 US 9,797,140  
 US 9,777,531  
 US 9,598,867  
 US 9,441,378



SkyFloor® Series 3000 Perimeter Extrusion With Warm Edge Spacer  
 Walkable Structural Glass

MANUFACTURER		Glass Flooring Systems, Inc. 6 Aaron Way Unit 1 Sparta, NJ 07871	
PROJECT		SkyFloor® Series 3000 Perimeter Extrusion With Warm Edge Spacer - Extended Gutter Extrusion	
SCALE: 1.5:1		ALL ELEVATIONS ARE VIEWED FROM EXTERIOR	
DRAWN	DATE	SHEET	
GFS	12/12/25	SkyFloor Series 3000	5 of 5