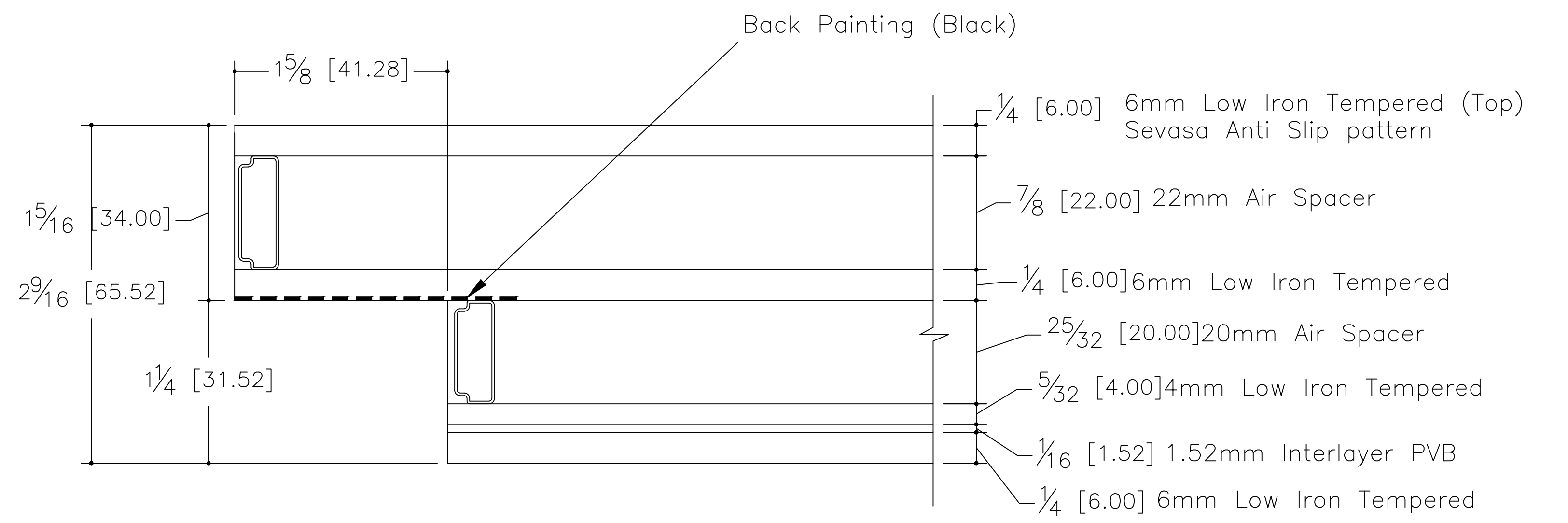
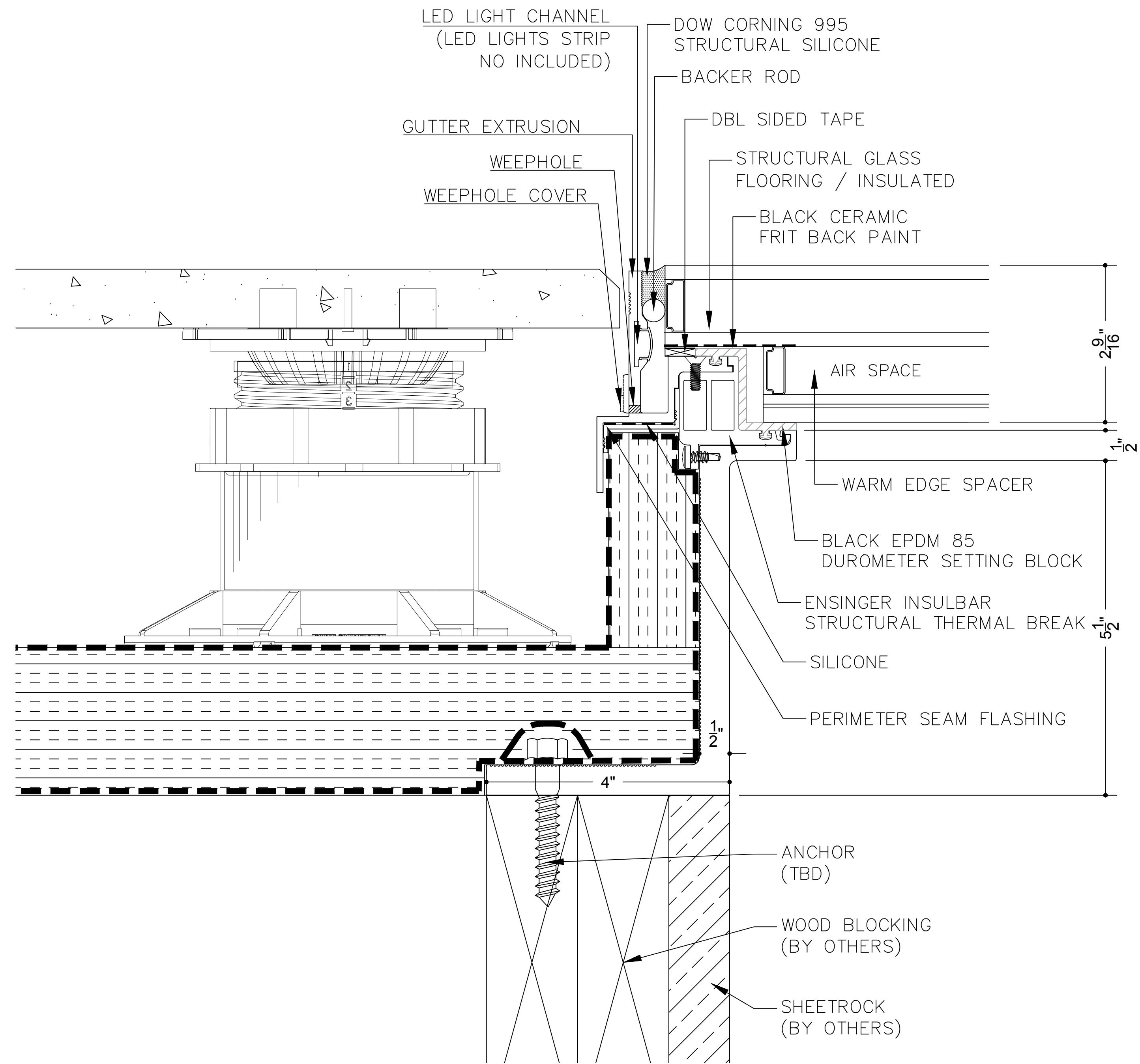


Patent #'s
 US 9,874,018
 US 9,909,309
 US 9,920,532
 US 9,797,140
 US 9,777,531
 US 9,598,867
 US 9,441,378



ARCHITECT			
CONTRACTOR			
MANUFACTURER Glass Flooring Systems, Inc. 6 Aaron Way Sparta, NJ 07871			
PROJECT SkyFloor® Series 2000 Non-Walkable - Pedestal			
SCALE: 1 : 2 ALL ELEVATIONS ARE VIEWED FROM EXTERIOR			
DRAWN GFS	DATE 12/12/25	DWG NO. Glass	SHEET 1 OF 1