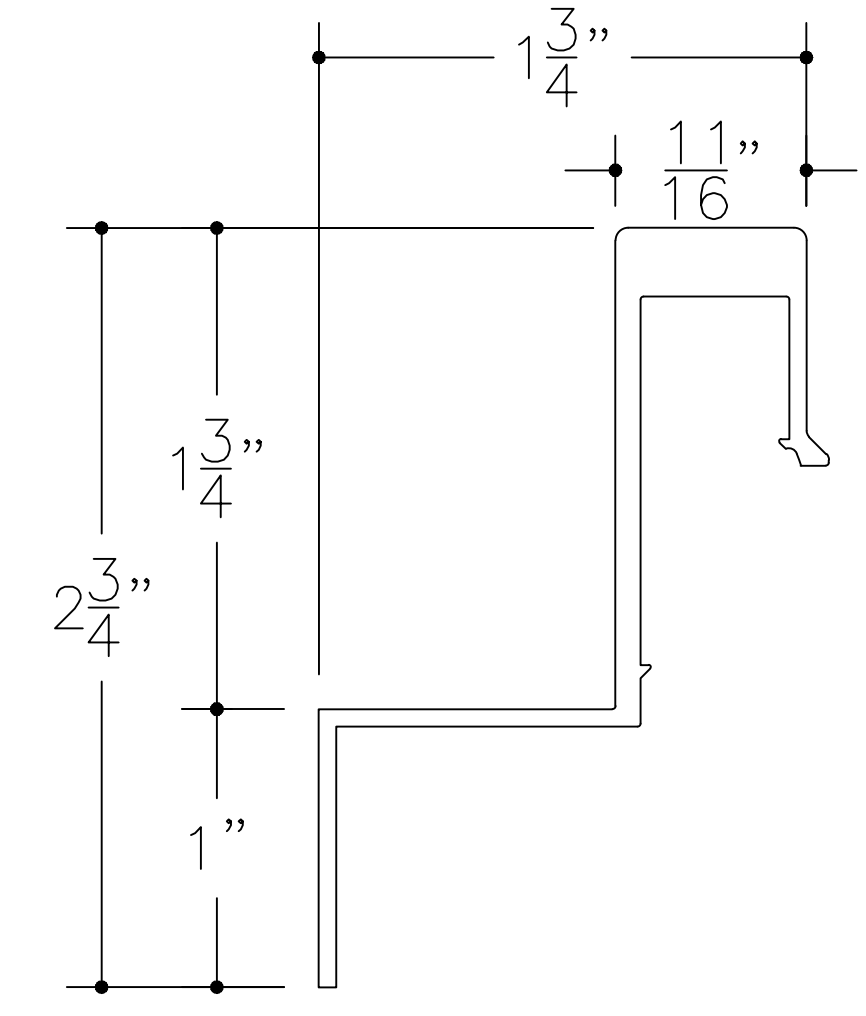
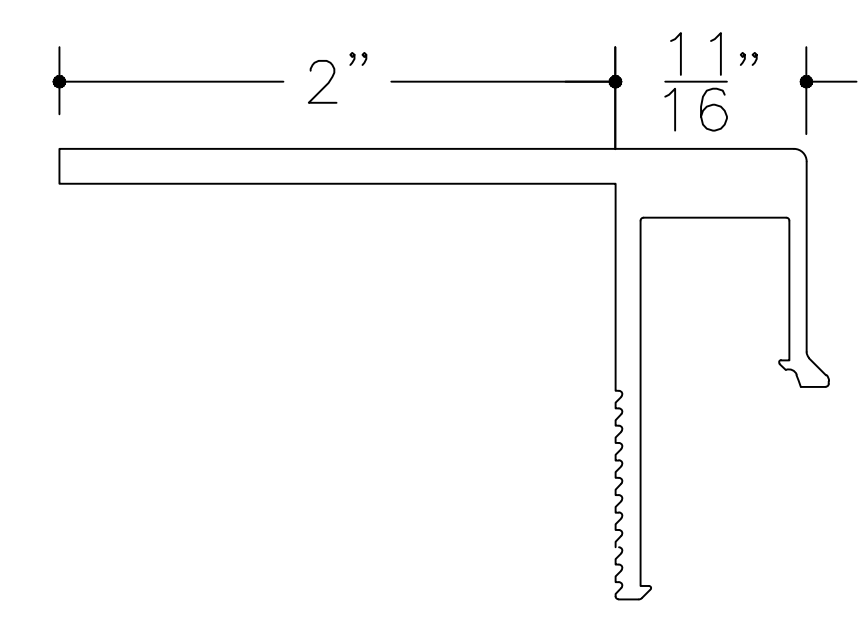


Patent #'s
 US 9,874,018
 US 9,909,309
 US 9,920,532
 US 9,797,140
 US 9,777,531
 US 9,598,867
 US 9,441,378

Custom 3" Vertical Adjustable Top Cap (Option A)



Alternate Adjustable Cap (Option B)



Custom 2" Horizontal Adjustable Top Cap (Option C)



SkyFloor® Series 1000 Exterior Walkable Skylight Greenroof Pedestal Perimeter Detail

ARCHITECT			
CONTRACTOR			
MANUFACTURER Glass Flooring Systems, Inc. 6 Aaron Way Sparta, NJ 07871			
PROJECT SkyFloor® Series 1000 Exterior Walkable Skylight Greenroof Pedestal Detail			
SCALE: 1 : 2 ALL ELEVATIONS ARE VIEWED FROM EXTERIOR			
DRAWN	DATE	DWG NO.	SHEET
GFS	12/12/25	Exterior Pedestal TB	1 OF 1