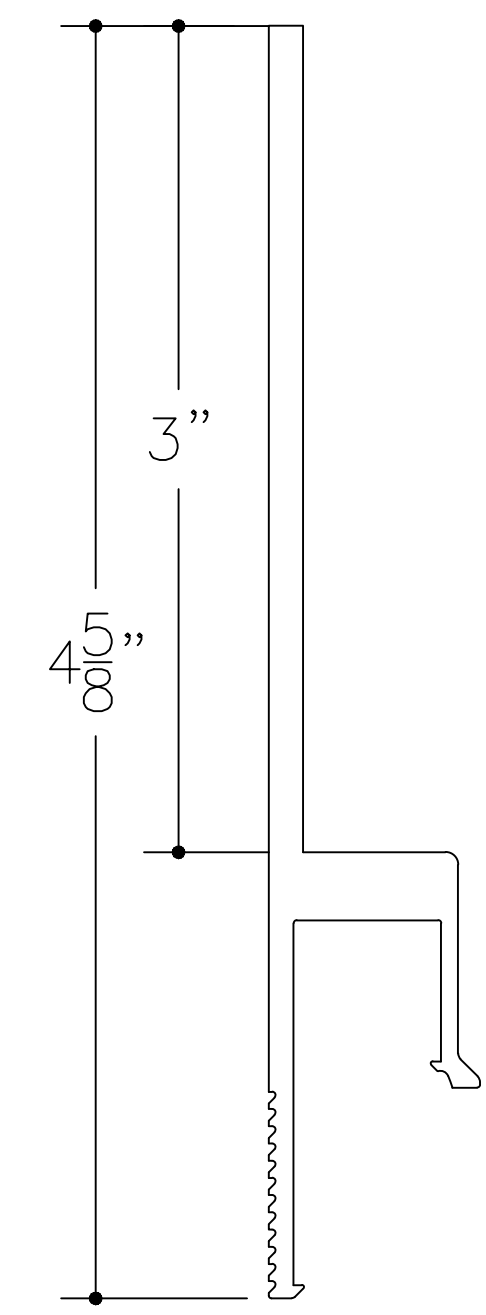
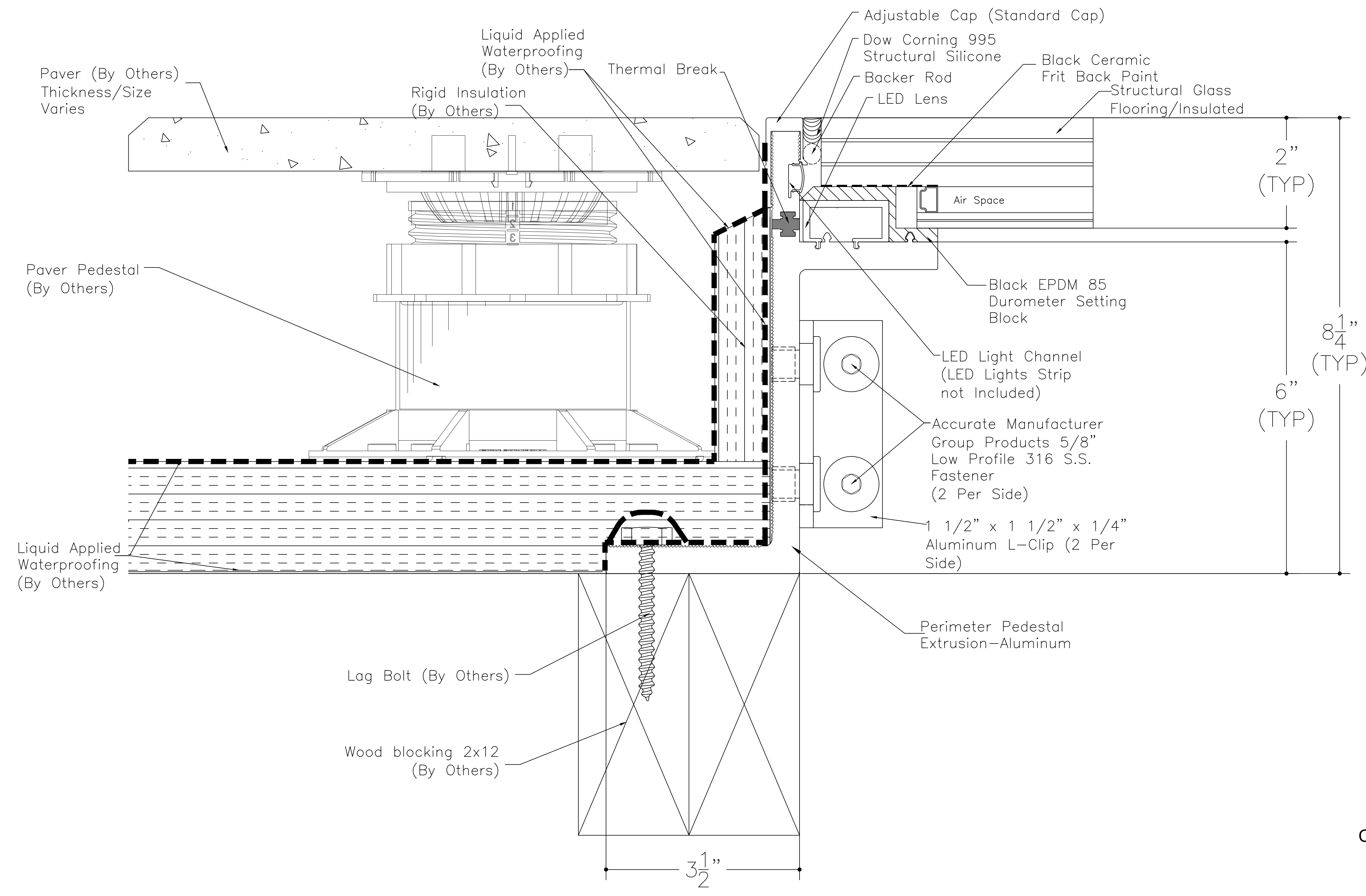
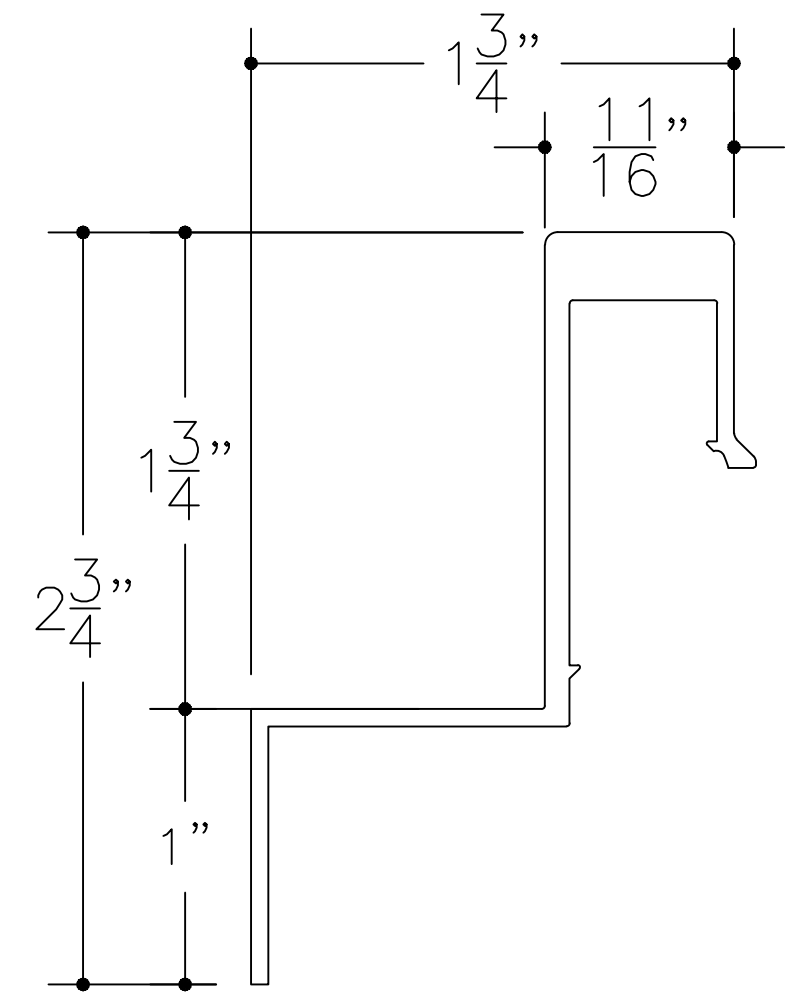


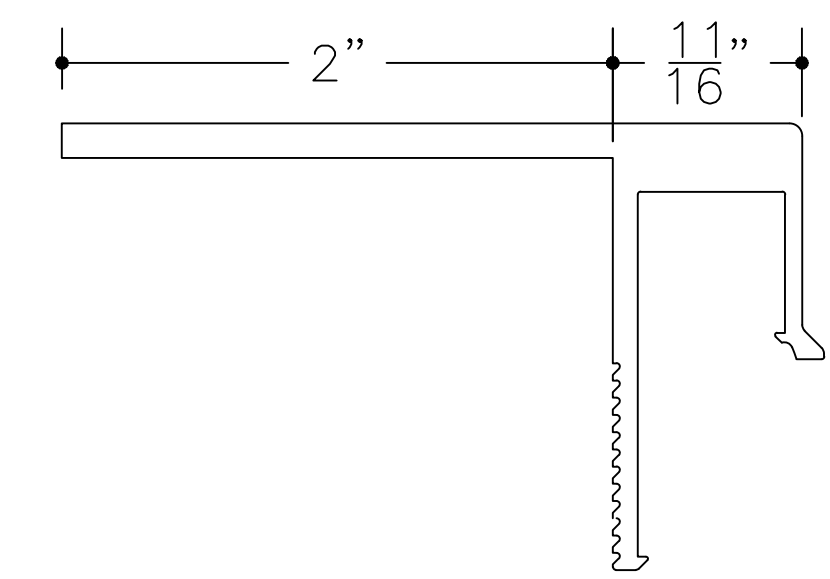
Patent #'s
 US 9,874,018
 US 9,909,309
 US 9,920,532
 US 9,797,140
 US 9,777,531
 US 9,598,867
 US 9,441,378



Custom 3" Vertical Adjustable Top Cap (Option A)



Alternate Adjustable Cap (Option B)



Custom 2" Horizontal Adjustable Top Cap (Option C)



SkyFloor® Series 1000 Exterior Pedestal Paver Detail W/T Wood Blocking

ARCHITECT			
CONTRACTOR			
MANUFACTURER		Glass Flooring Systems, Inc. 6 Aaron Way Sparta, NJ 07871	
PROJECT SkyFloor® Series 1000 Exterior Pedestal Paver Detail with Wood Blocking			
SCALE: 1 : 2 ALL ELEVATIONS ARE VIEWED FROM EXTERIOR			
DRAWN	DATE	DWG. NO.	SHEET
GFS	12/12/25	Exterior Pedestal TB	1 OF 1