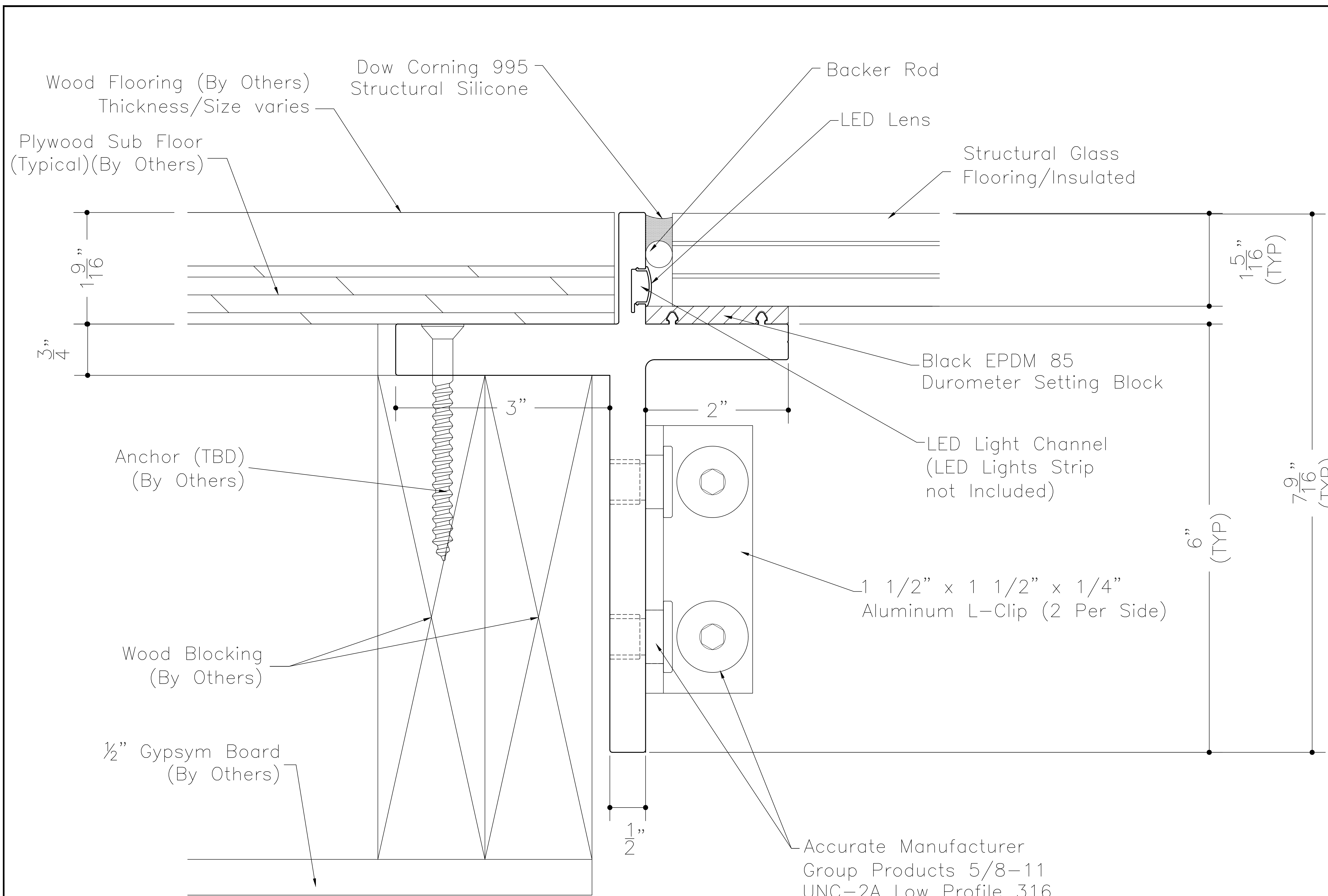


Patent #'s  
 US 9,874,018  
 US 9,909,309  
 US 9,920,532  
 US 9,797,140  
 US 9,777,531  
 US 9,598,867  
 US 9,441,378



9 1/16"  
 3 3/4"  
 1 5/16" (TYP)  
 6" (TYP)  
 7 9/16" (TYP)

Anchor (TBD)  
 (By Others)

Wood Blocking  
 (By Others)

1/2" Gypsum Board  
 (By Others)

Dow Corning 995  
 Structural Silicone

Backer Rod

LED Lens

Structural Glass  
 Flooring/Insulated

Black EPDM 85  
 Durometer Setting Block

LED Light Channel  
 (LED Lights Strip  
 not Included)

1 1/2" x 1 1/2" x 1/4"  
 Aluminum L-Clip (2 Per Side)

Accurate Manufacturer  
 Group Products 5/8-11  
 UNC-2A Low Profile 316  
 S.S. Fastener (2 Per Side)



SkyFloor® Series 1000 Non-Thermal Perimeter Recessed Interior Detail with Wood

|   |                  |                      |
|---|------------------|----------------------|
| MANUFACTURER Glass Flooring Systems, Inc.<br>6 Aaron Way<br>Sparta, NJ 07871            |                  |                      |
| TITLE SkyFloor® Series 1000 Non-Thermal Perimeter<br>Recessed Interior Detail with Wood |                  |                      |
| SCALE: NTS  |                  |                      |
| DRAWN<br>GFS  | DATE<br>12/12/25 | PART NUMBER<br>GFS-4 |
|   |                  | SHEET<br>1 OF 1      |