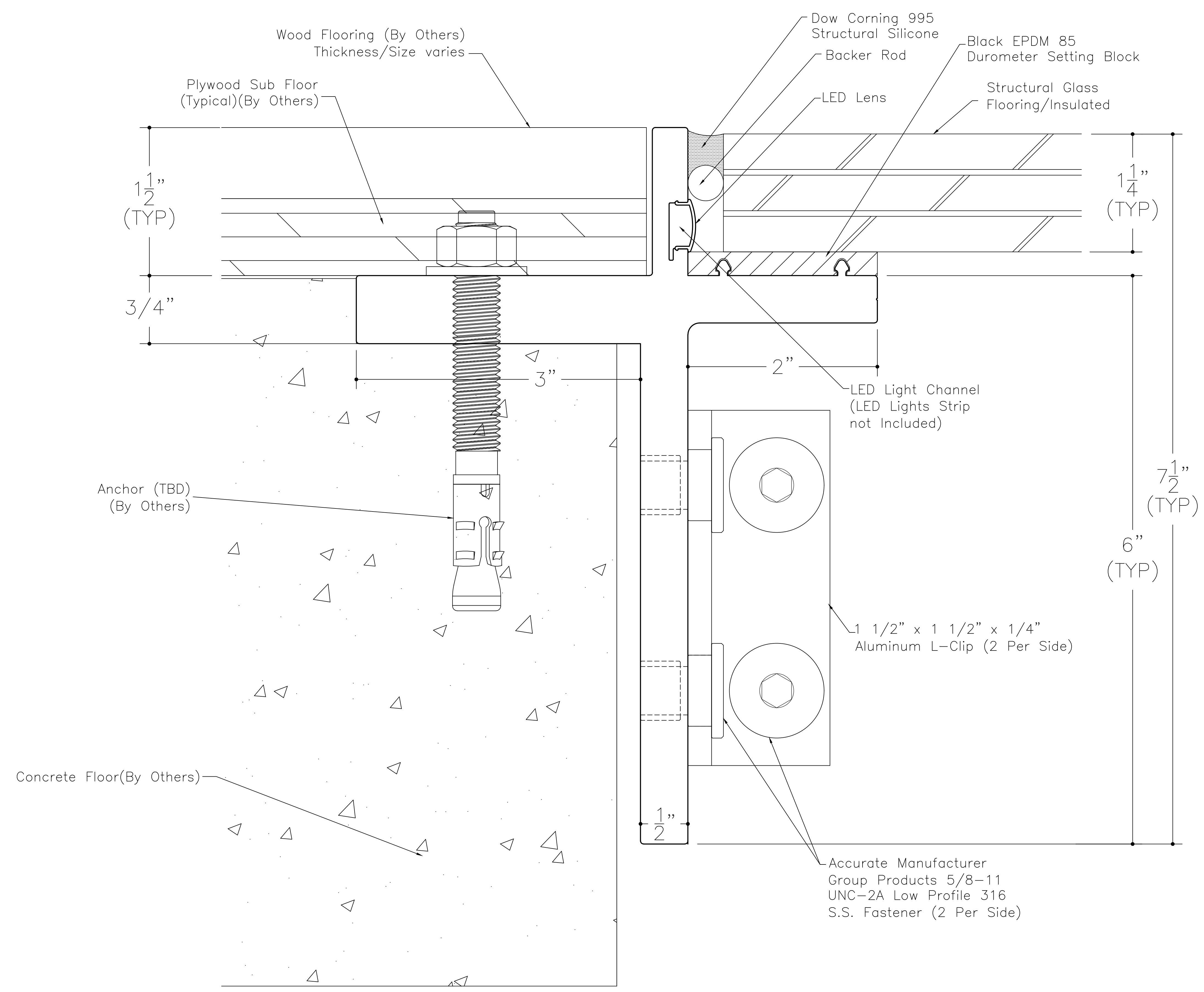


Patent #'s
 US 9,874,018
 US 9,909,309
 US 9,920,532
 US 9,797,140
 US 9,777,531
 US 9,598,867
 US 9,441,378



SkyFloor® Non-Thermal Perimeter Recessed Interior Detail with Concrete



MANUFACTURER Glass Flooring Systems, Inc. 6 Aaron Way Sparta, NJ 07871			
TITLE SkyFloor® Series 1000 Non-Thermal Perimeter Recessed Interior Detail with Concrete			
SCALE: NTS			
DRAWN GFS	DATE 12/12/25	PART NUMBER GFS-4	SHEET 1 OF 1