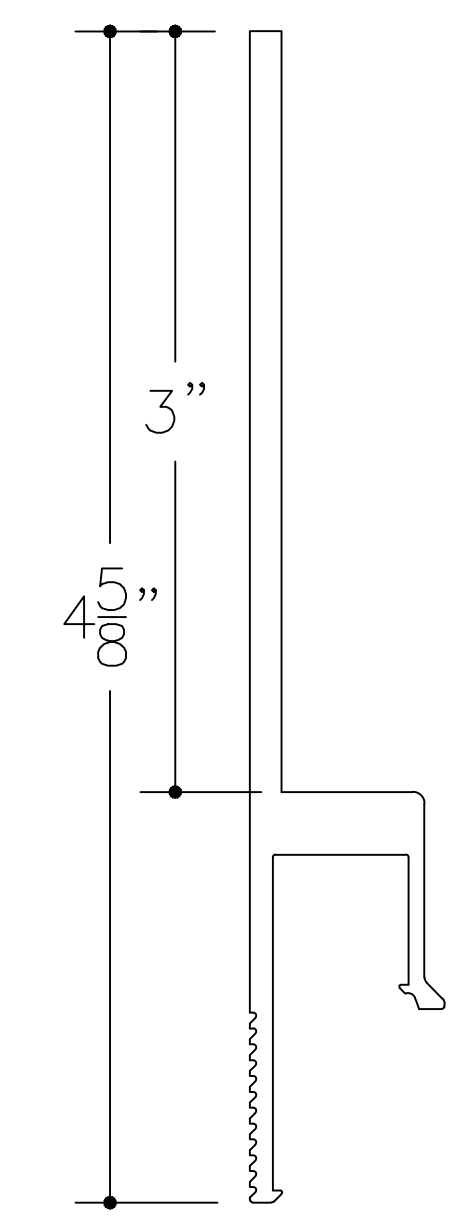
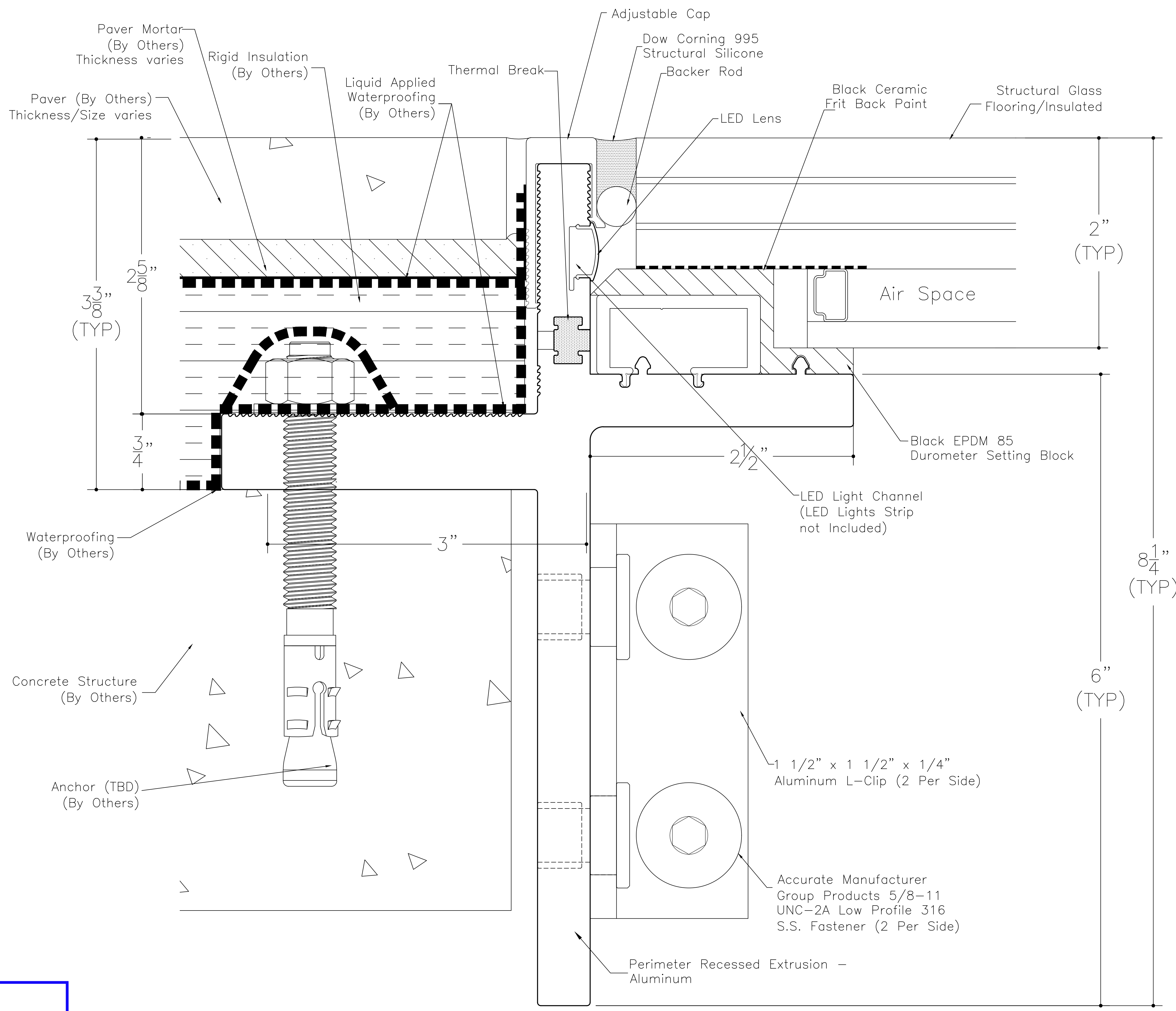
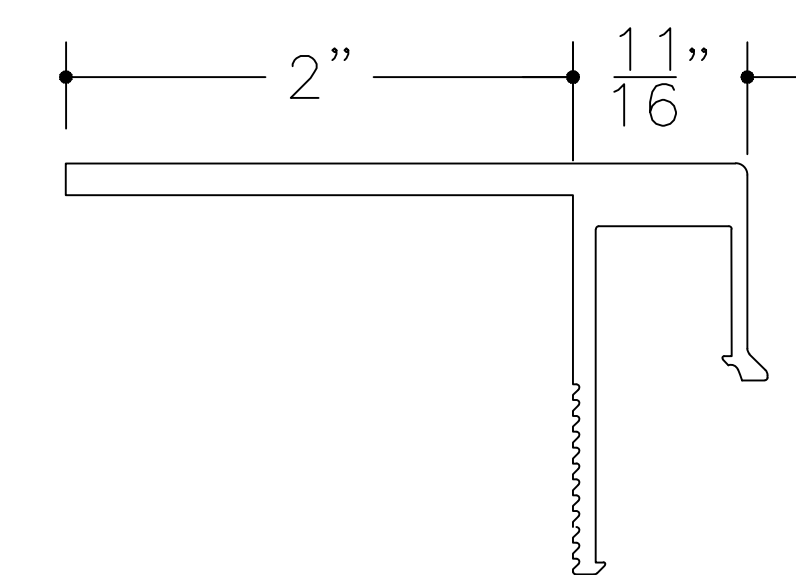


Patent #'s
 US 9,874,018
 US 9,909,309
 US 9,920,532
 US 9,797,140
 US 9,777,531
 US 9,598,867
 US 9,441,378



Custom 3" Vertical Adjustable Top Cap (Option A)



Custom 2" Horizontal Adjustable Top Cap (Option B)



SkyFloor® Series 1000 Exterior Recessed with Paver Detail

ARCHITECT			
CONTRACTOR			
MANUFACTURER Glass Flooring Systems, Inc. 6 Aaron Way Sparta, NJ 07871			
PROJECT SkyFloor® Series 1000 Exterior Walkable Skylight Recessed Detail			
SCALE: 1 : 2 ALL ELEVATIONS ARE VIEWED FROM EXTERIOR			
DRAWN	DATE	DWG. NO.	SHEET
GFS	12/12/25	Recessed TB	1 OF 1