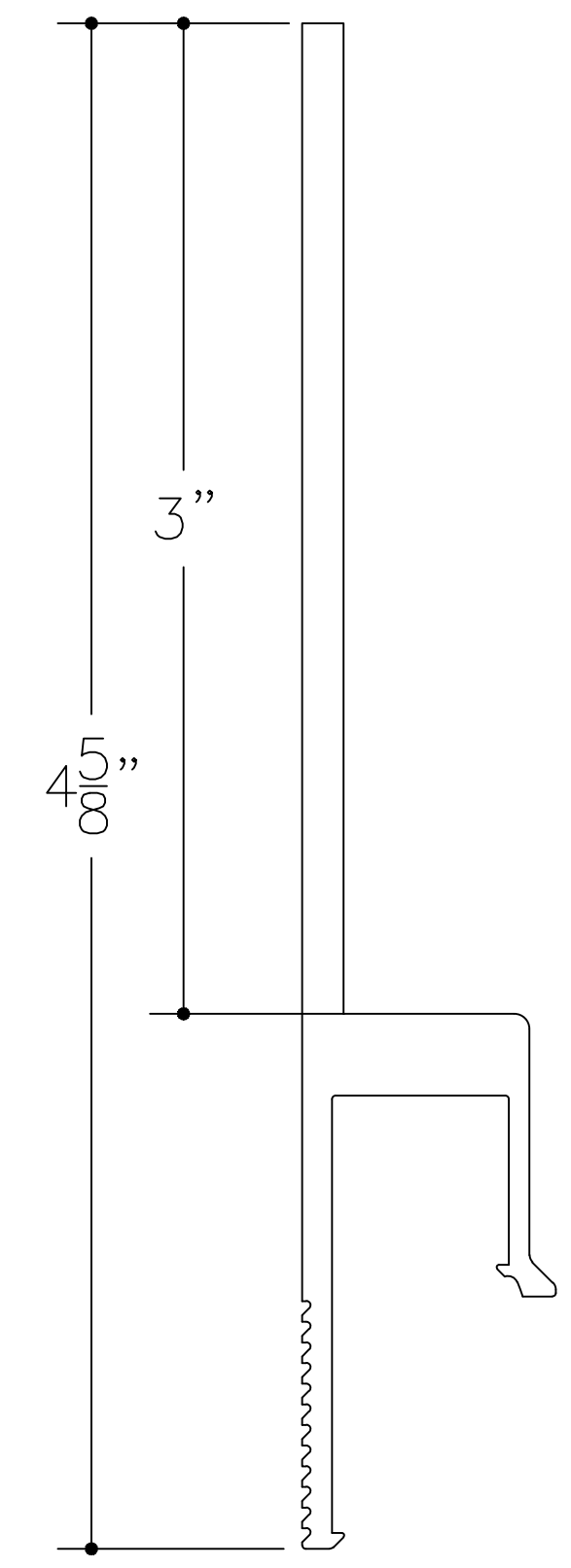
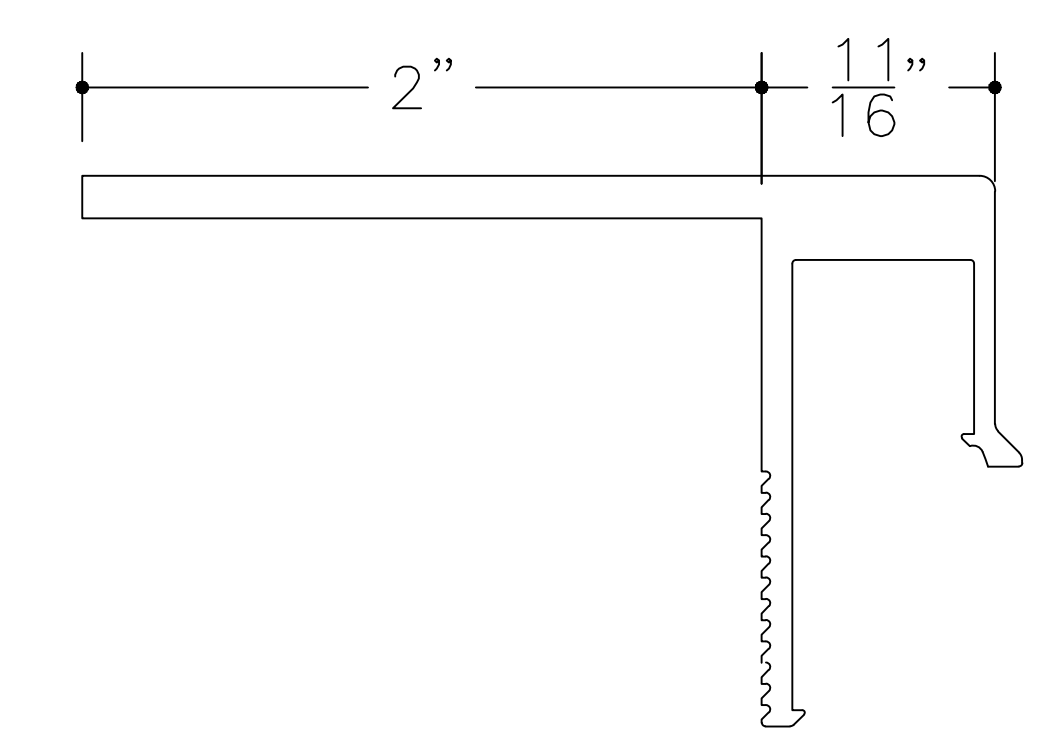


Patent #'s  
 US 9,874,018  
 US 9,909,309  
 US 9,920,532  
 US 9,797,140  
 US 9,777,531  
 US 9,598,867  
 US 9,441,378



Custom 3" Vertical Adjustable Top Cap (Option A)



Custom 2" Horizontal Adjustable Top Cap (Option B)



SkyFloor® Series 1000 Exterior Recessed Paver Detail with Wood Block

ARCHITECT			
CONTRACTOR			
MANUFACTURER Glass Flooring Systems, Inc. 6 Aaron Way Sparta, NJ 07871			
PROJECT SkyFloor® Series 1000 Exterior Walkable Skylight Recessed Details with Wood Block			
SCALE: 1 : 2 ALL ELEVATIONS ARE VIEWED FROM EXTERIOR			
DRAWN	DATE	DWG NO.	SHEET
GFS	12/12/25	Recessed TB	1 OF 1