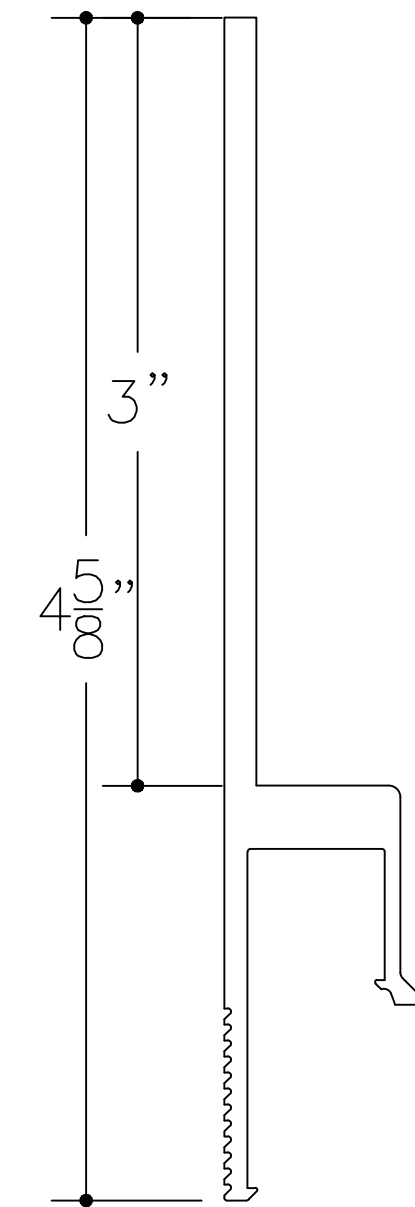
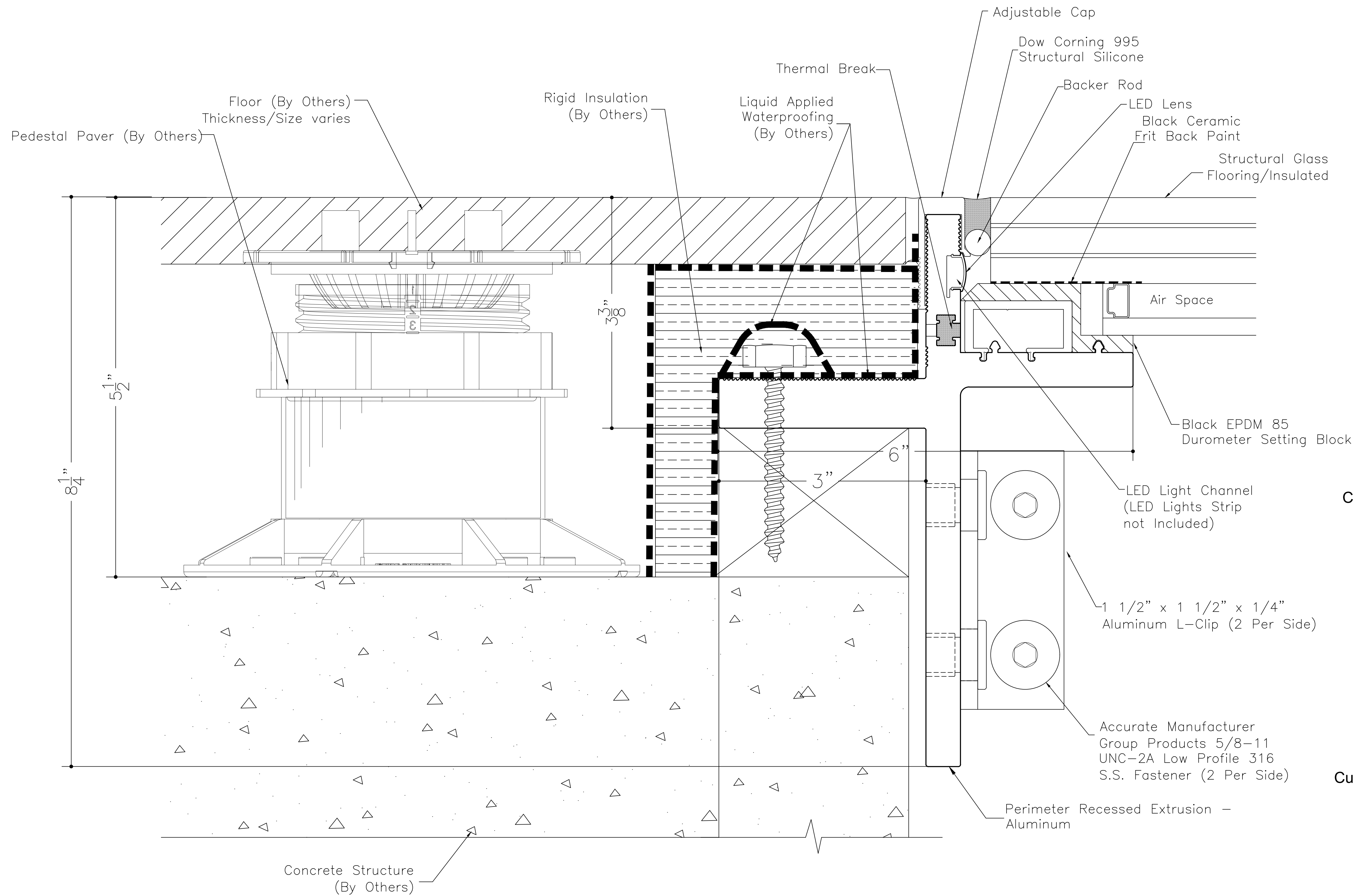
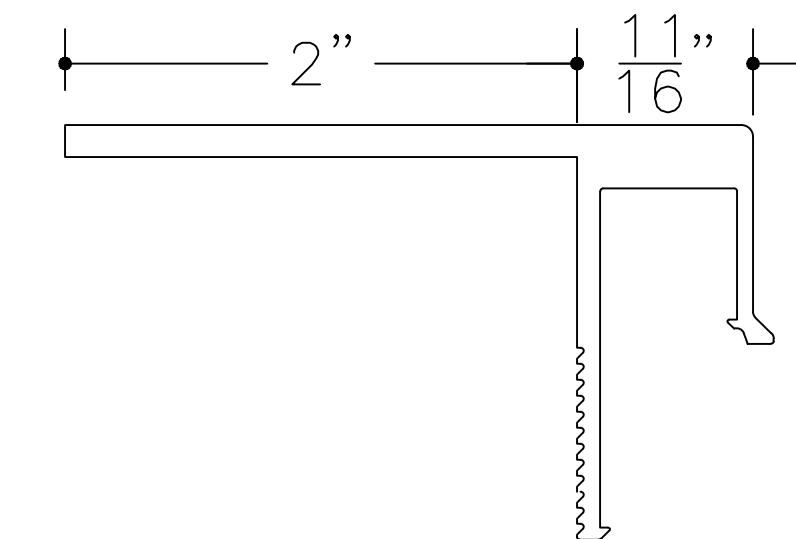


Patent #'s  
 US 9,874,018  
 US 9,909,309  
 US 9,920,532  
 US 9,797,140  
 US 9,777,531  
 US 9,598,867  
 US 9,441,378



Custom 3" Vertical Adjustable Top Cap (Option A)



Custom 2" Horizontal Adjustable Top Cap (Option B)

SkyFloor® Series 1000 Exterior Recessed with Pedestal Paver Detail



ARCHITECT			
CONTRACTOR			
MANUFACTURER		Glass Flooring Systems, Inc. 6 Aaron Way Sparta, NJ 07871	
PROJECT SkyFloor® Series 1000 Exterior Walkable Skylight Recessed Detail			
SCALE: 1 : 2 ALL ELEVATIONS ARE VIEWED FROM EXTERIOR			
DRAWN	DATE	DWG NO.	SHEET
GFS	12/12/25	Recessed TB	1 OF 1