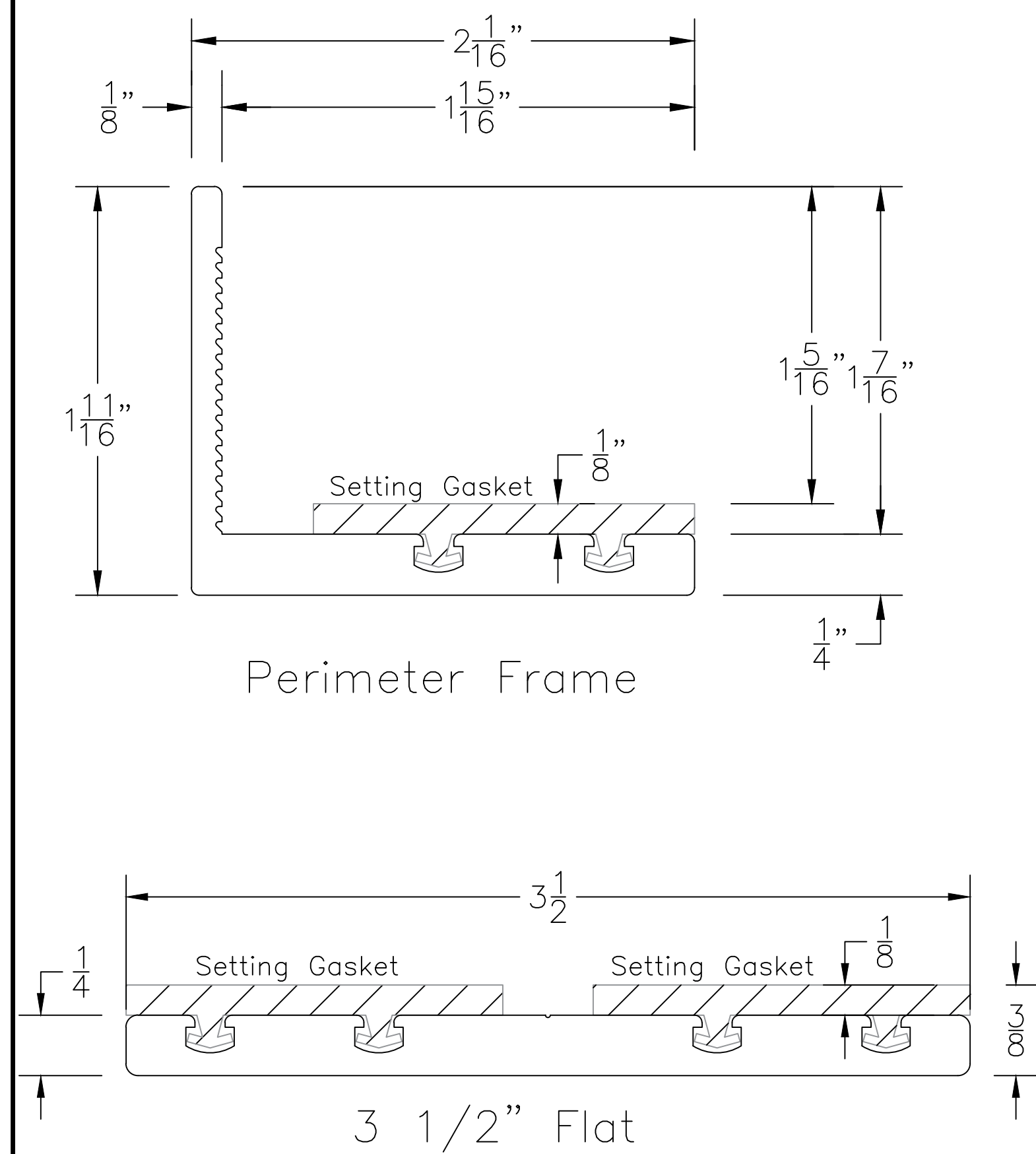


E Frame Extrusions & Setting Blocks

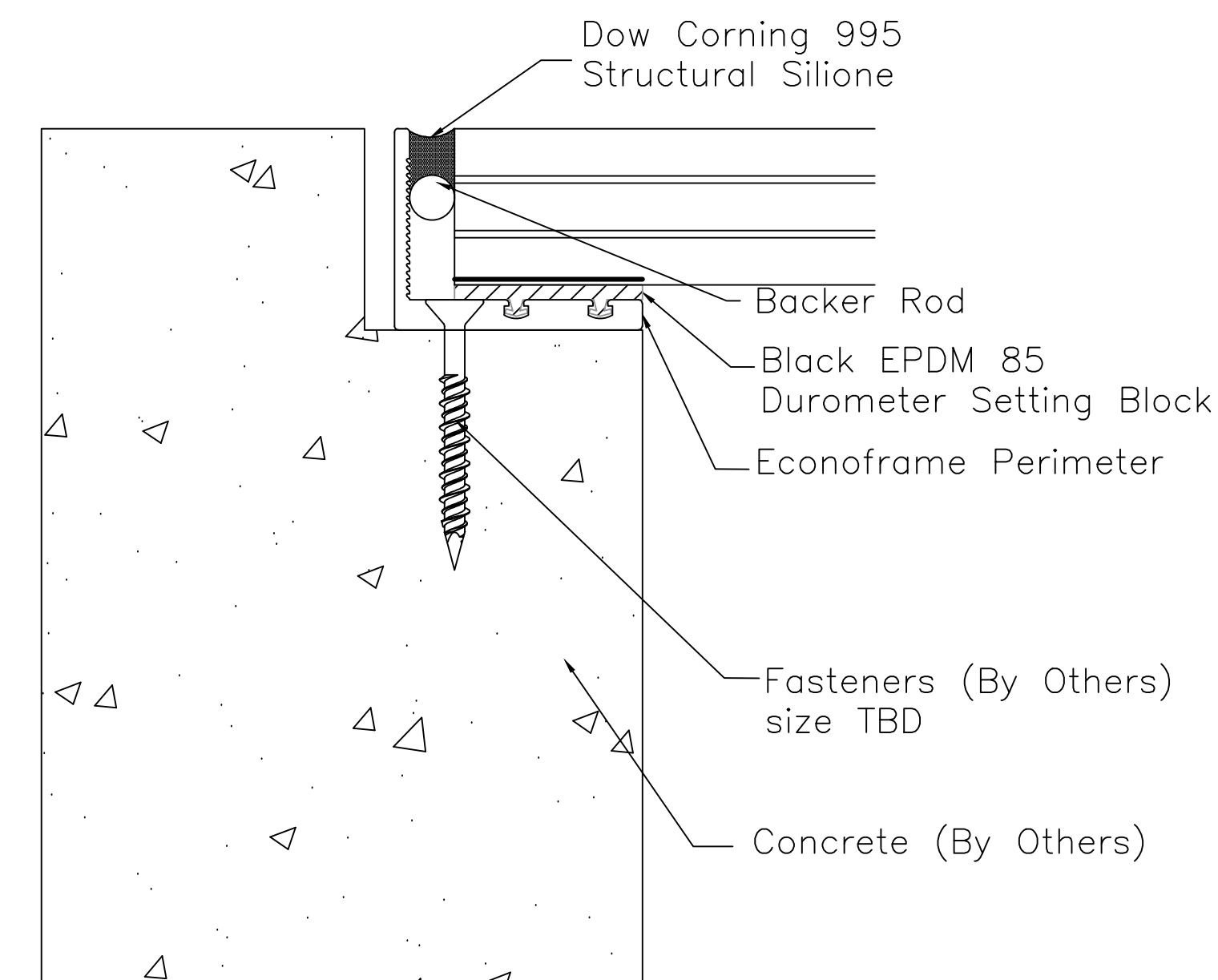
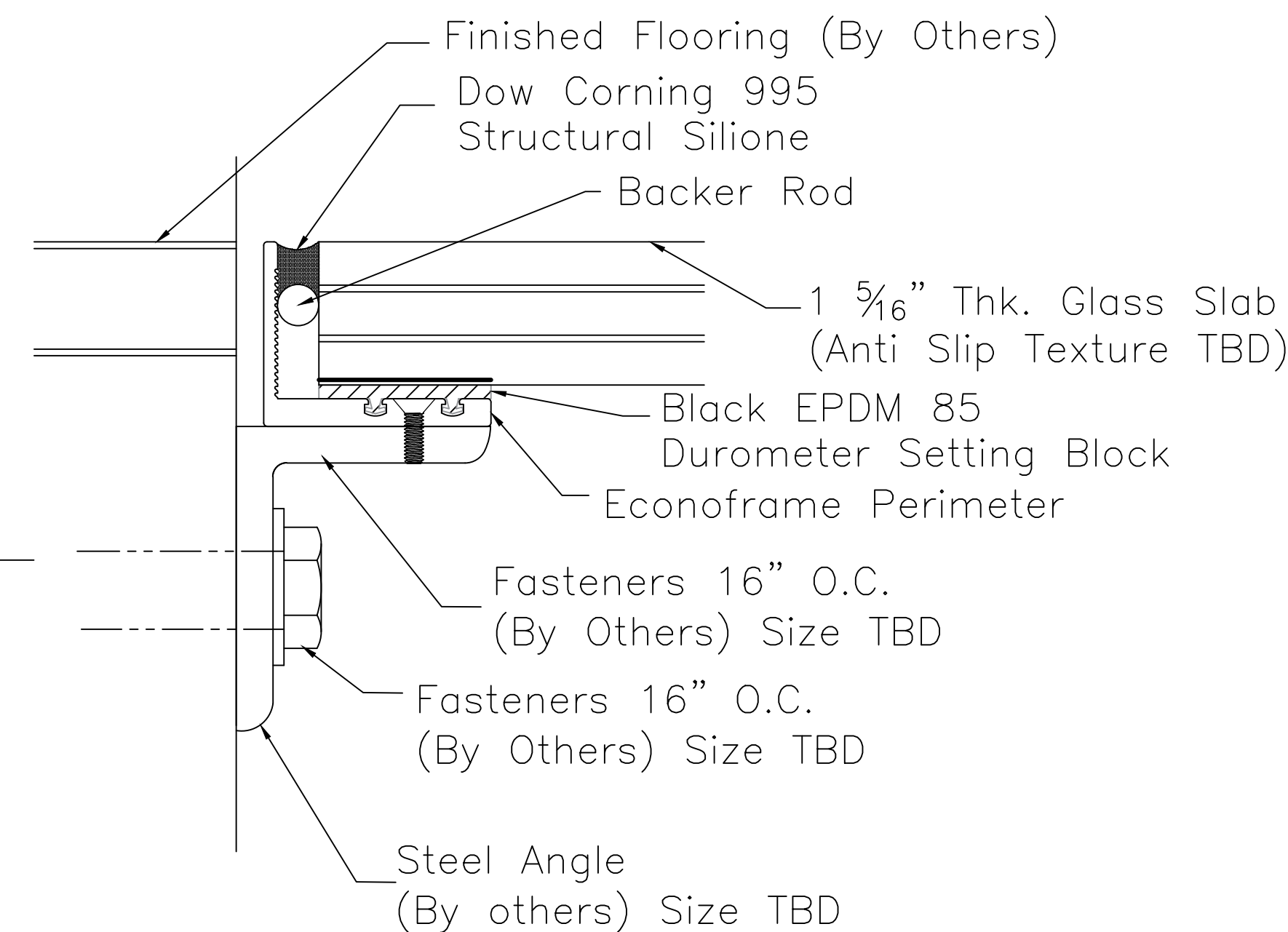
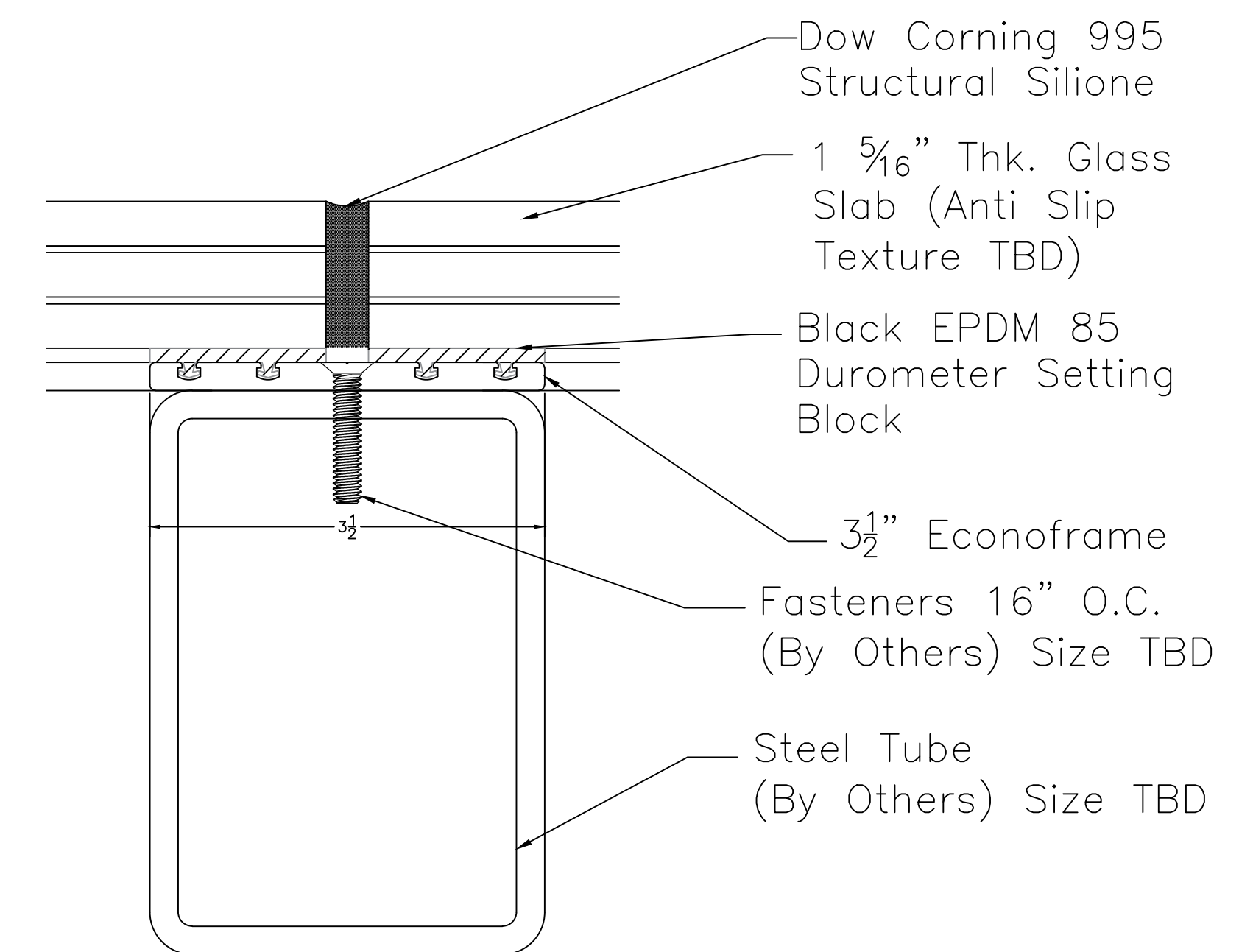
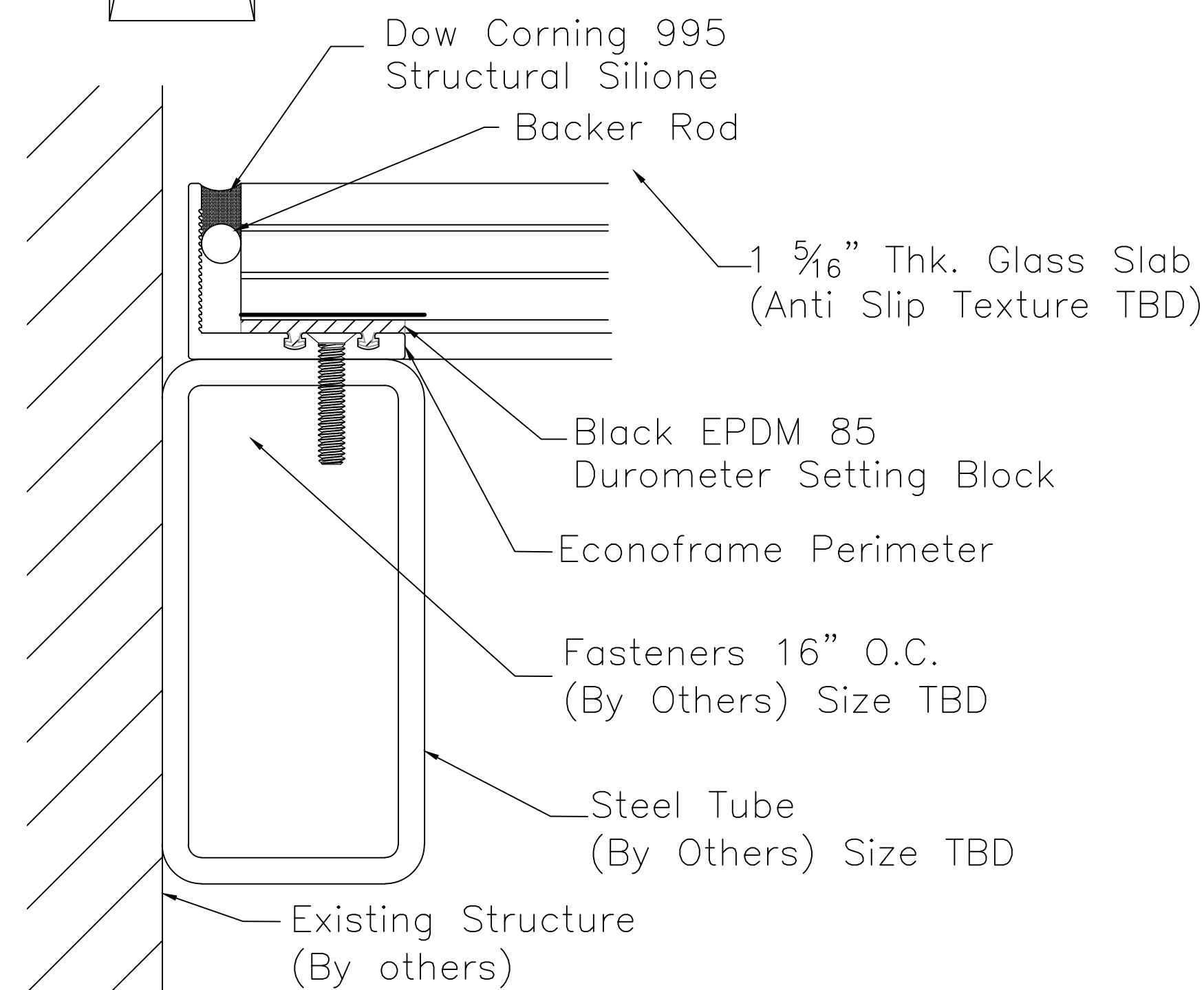
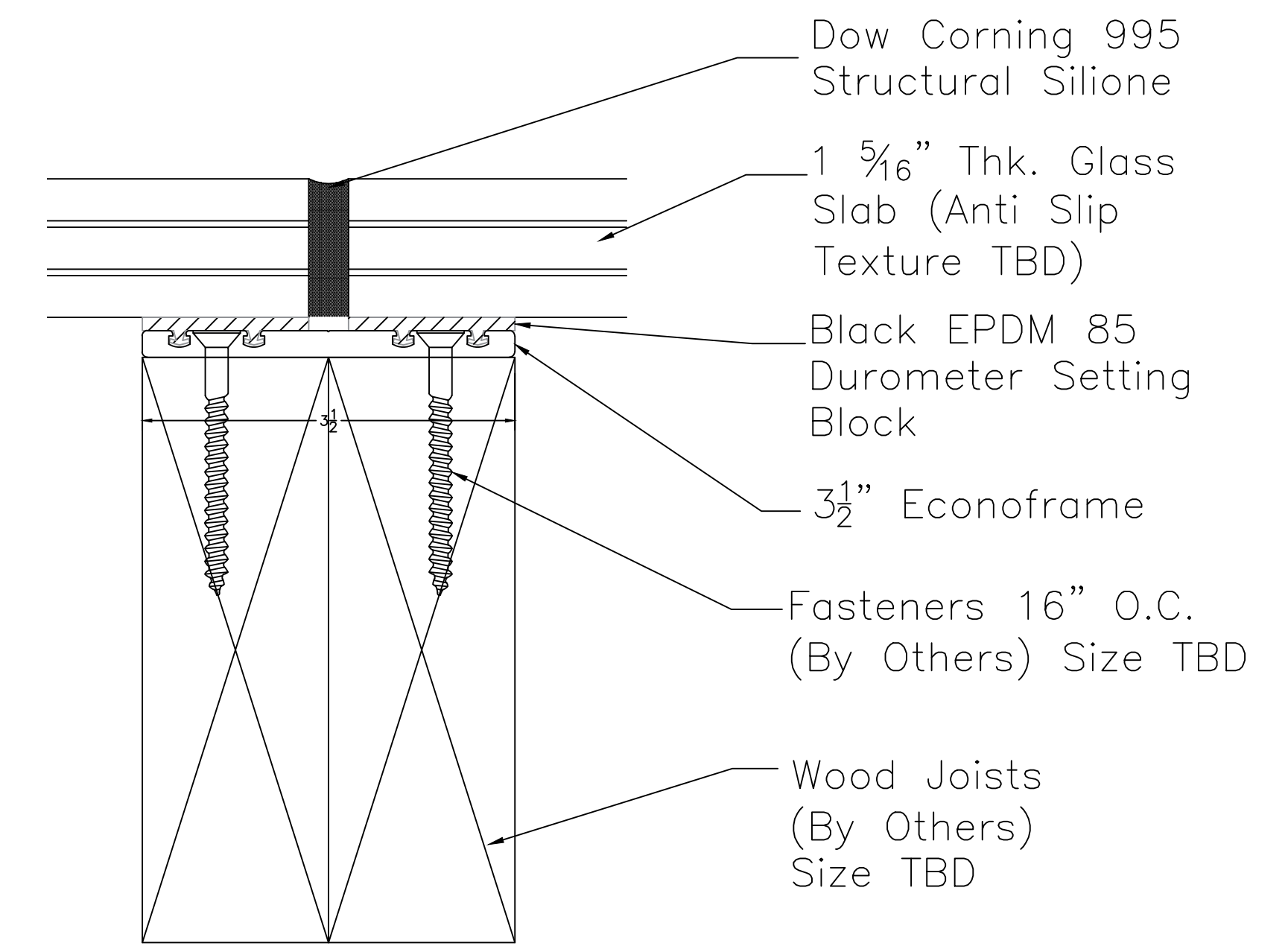
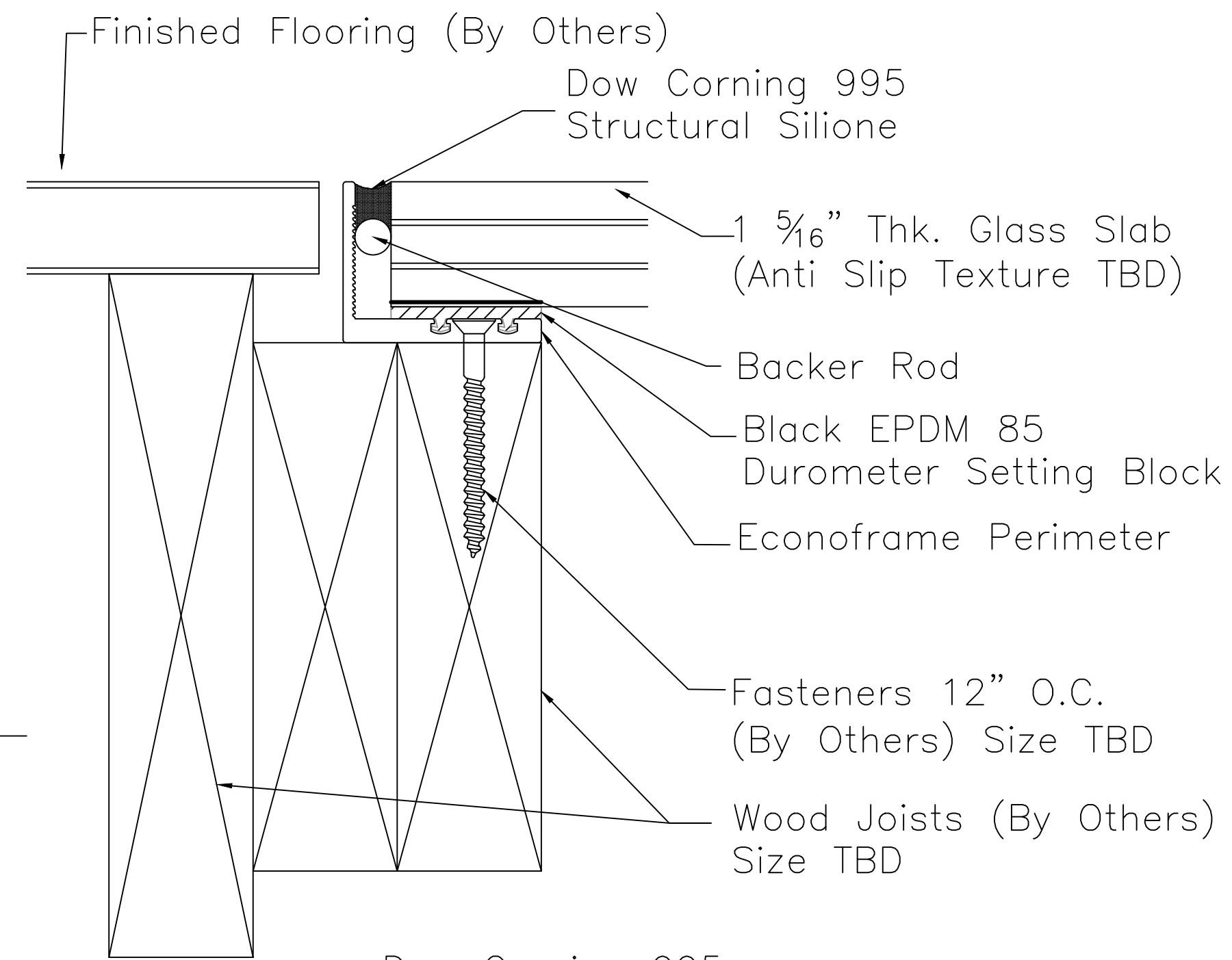


Common Application Details

The E-Frame is designed to work as a NON-Structural assembly and works with many types of structural elements such as steel, wood or concrete.

The E-Frame provides a hard EPDM setting gasket and also a clean finished edge allowing installers an easy way to trim off finishes adjacent to the glass,

E-Frame material provides users an easy way to capture structural glass flooring on decks, interiors, bridges and catwalks



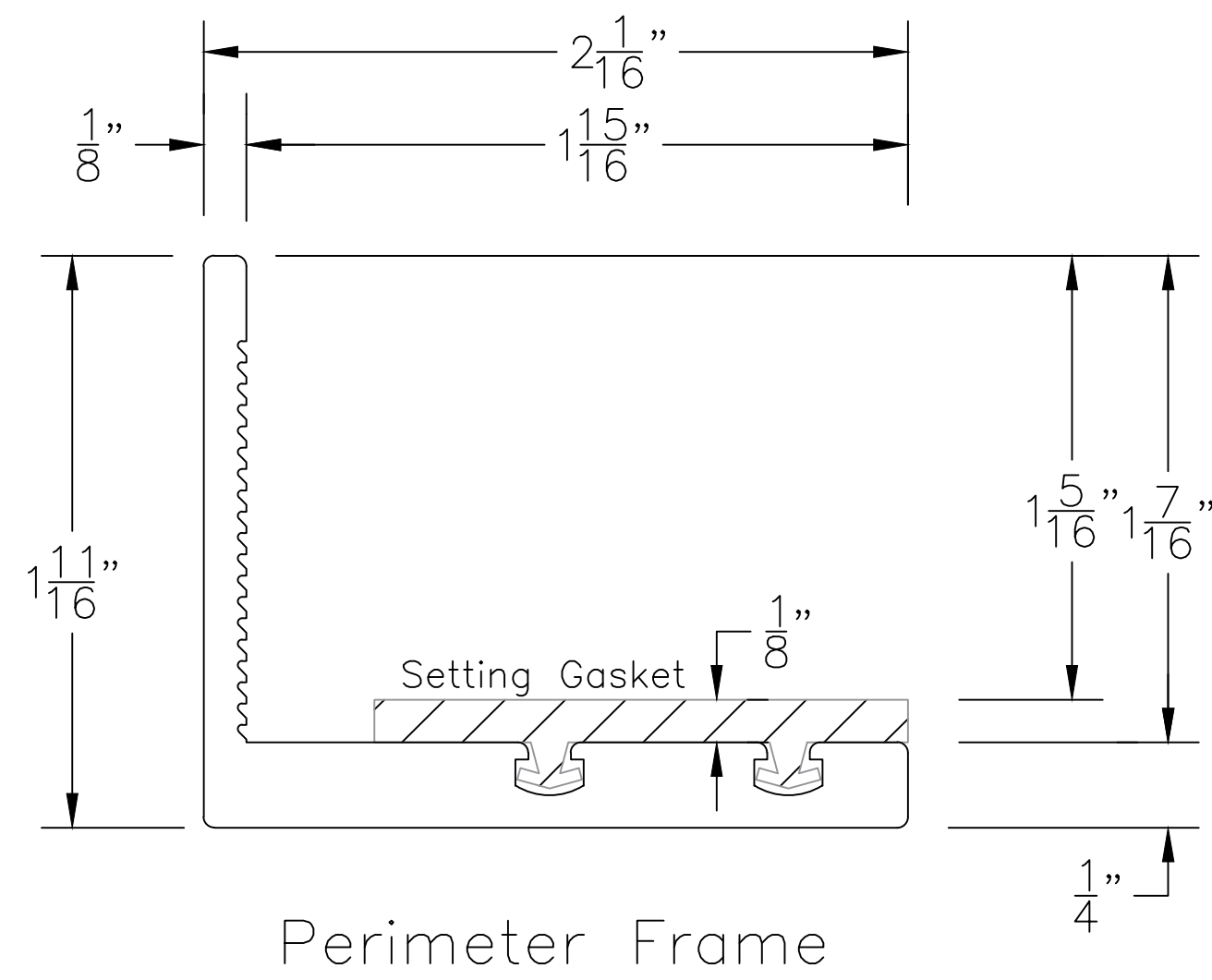
Patent #'s
 US 9,874,018
 US 9,909,309
 US 9,920,532
 US 9,797,140
 US 9,777,531
 US 9,598,867
 US 9,441,378



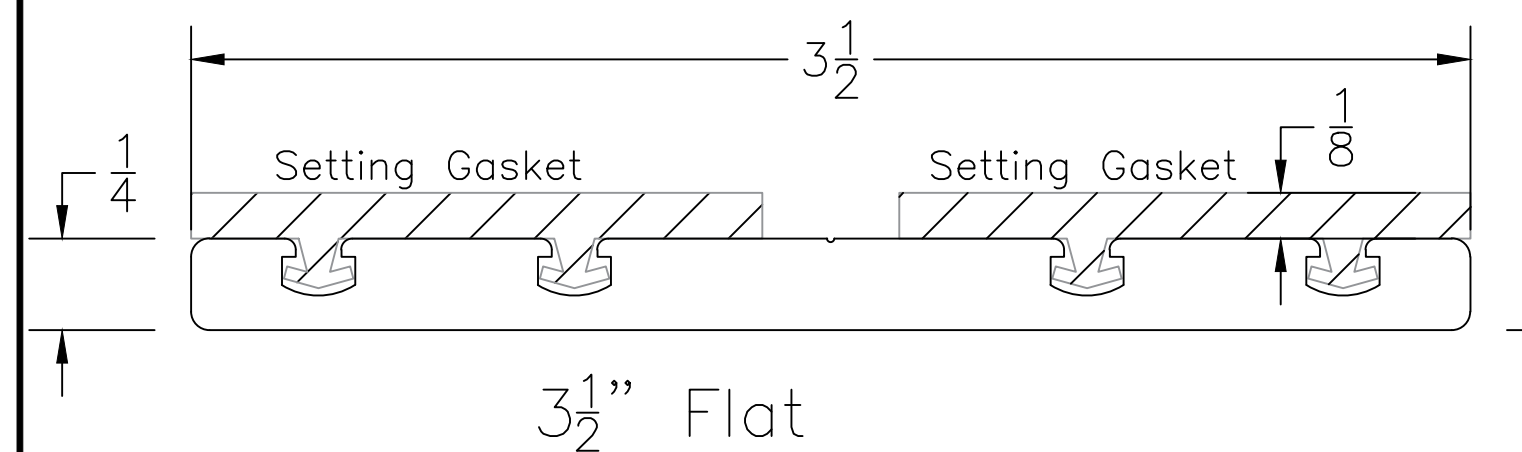
MULTIPLE PATENTS PENDING

MANUFACTURER Glass Flooring Systems, Inc. 6 Aaron Way Sparta, NJ 07871			
Econoframe Common Details			
SCALE: NTS ALL ELEVATIONS ARE VIEWED FROM EXTERIOR			
DRAWN JBW	DATE 12/12/25	DWG NO. GFS-9	SHEET 1 OF 1

E Frame Extrusions & Setting Blocks



Perimeter Frame

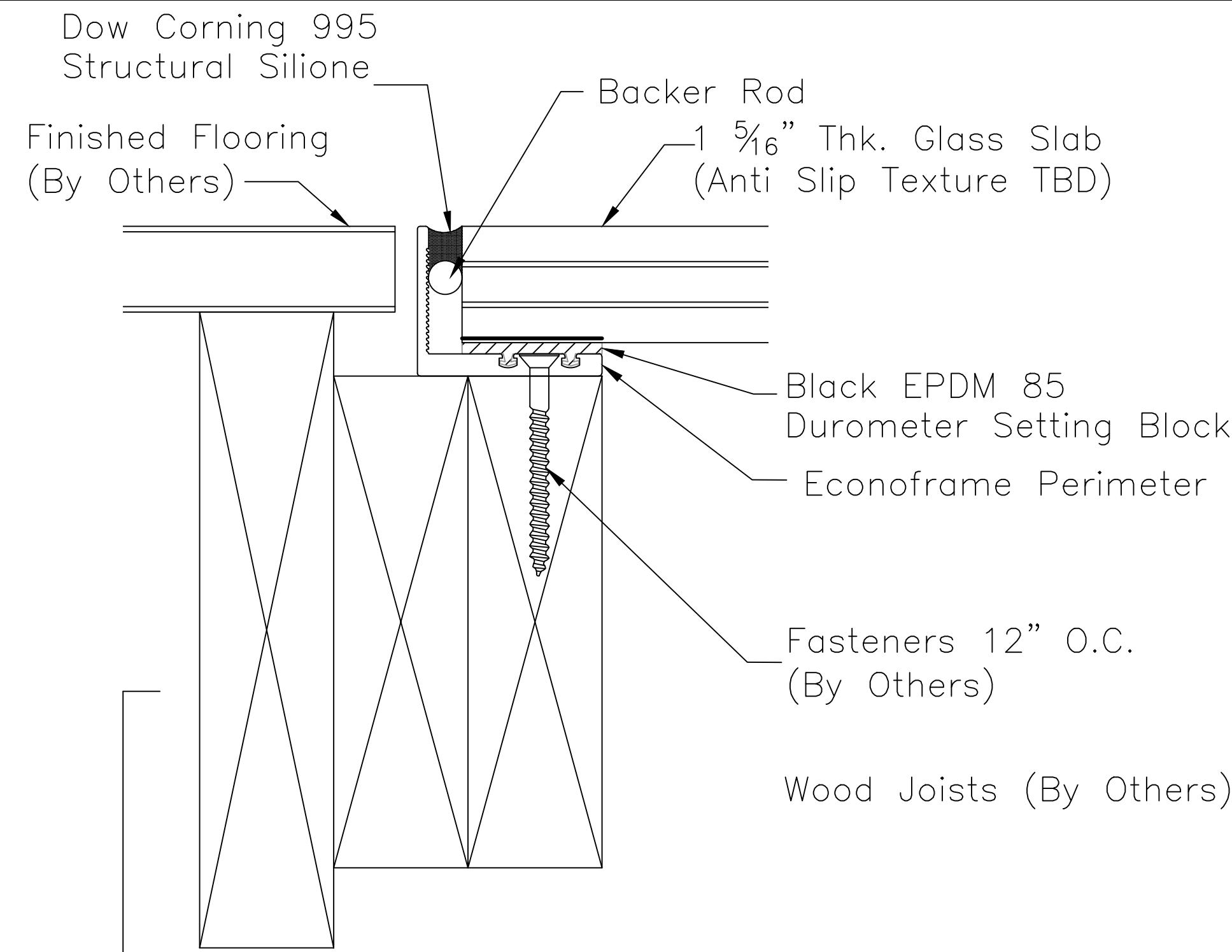


Common Application Details

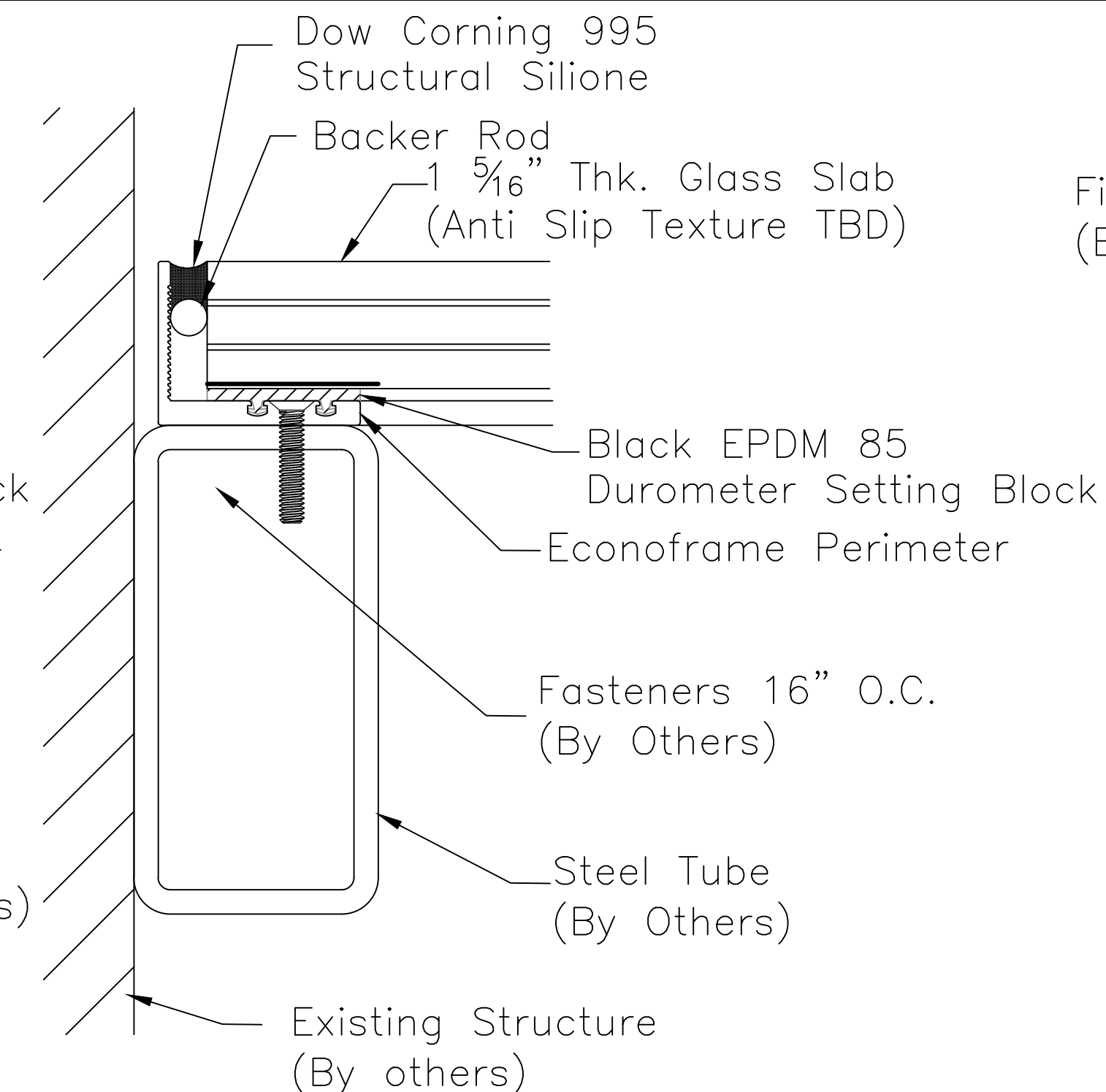
The EconoFrame is designed to work as a NON-Structural assembly and works with many types of structural elements such as steel or wood.

The EconoFrame provides a hard EPDM setting block and also a clean finished edge allowing installers an easy way to trim off finishes adjacent to the glass,

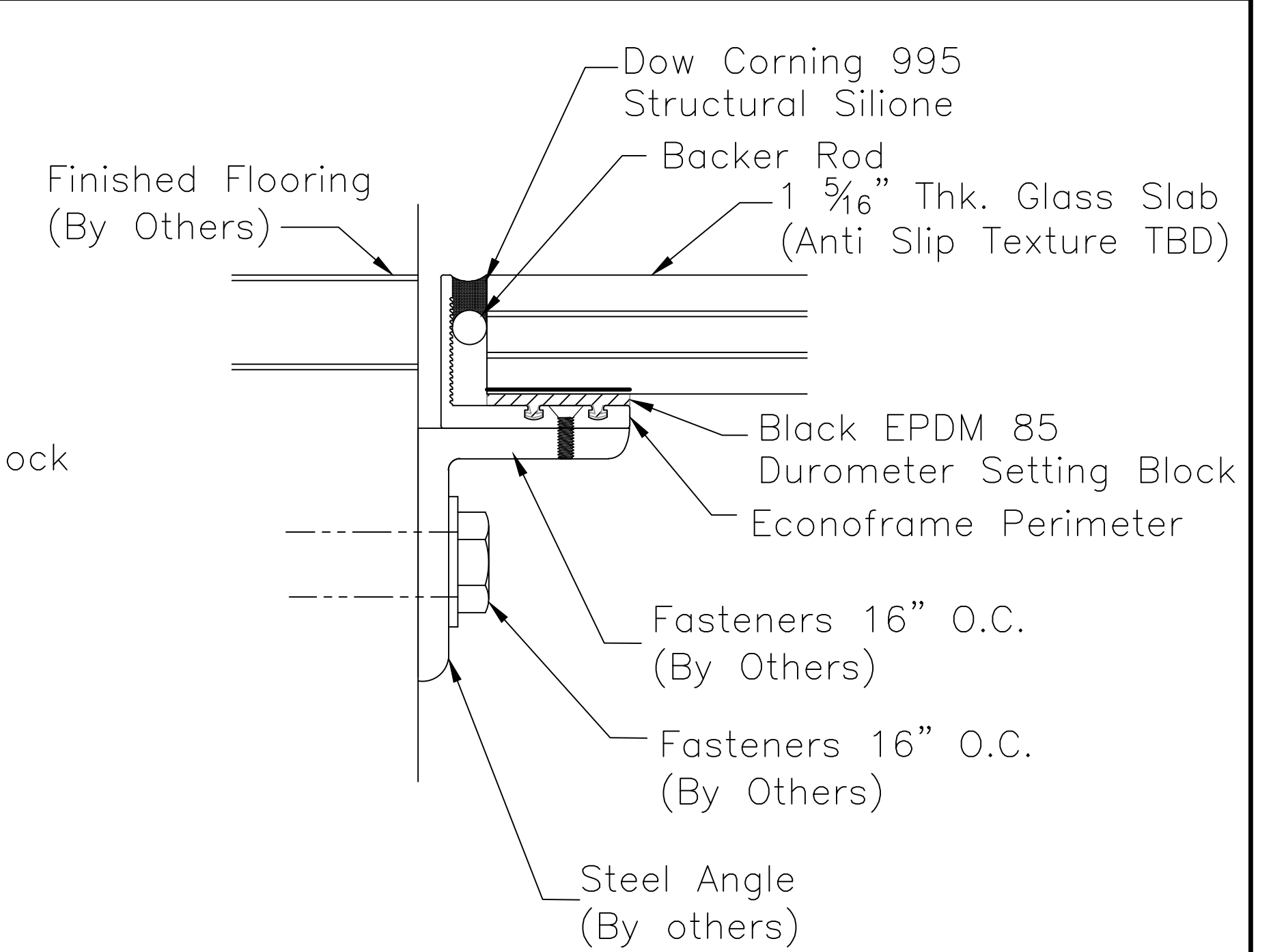
EconoFrame material provides users an easy way to capture structural glass flooring on decks, interiors, bridges and catwalks



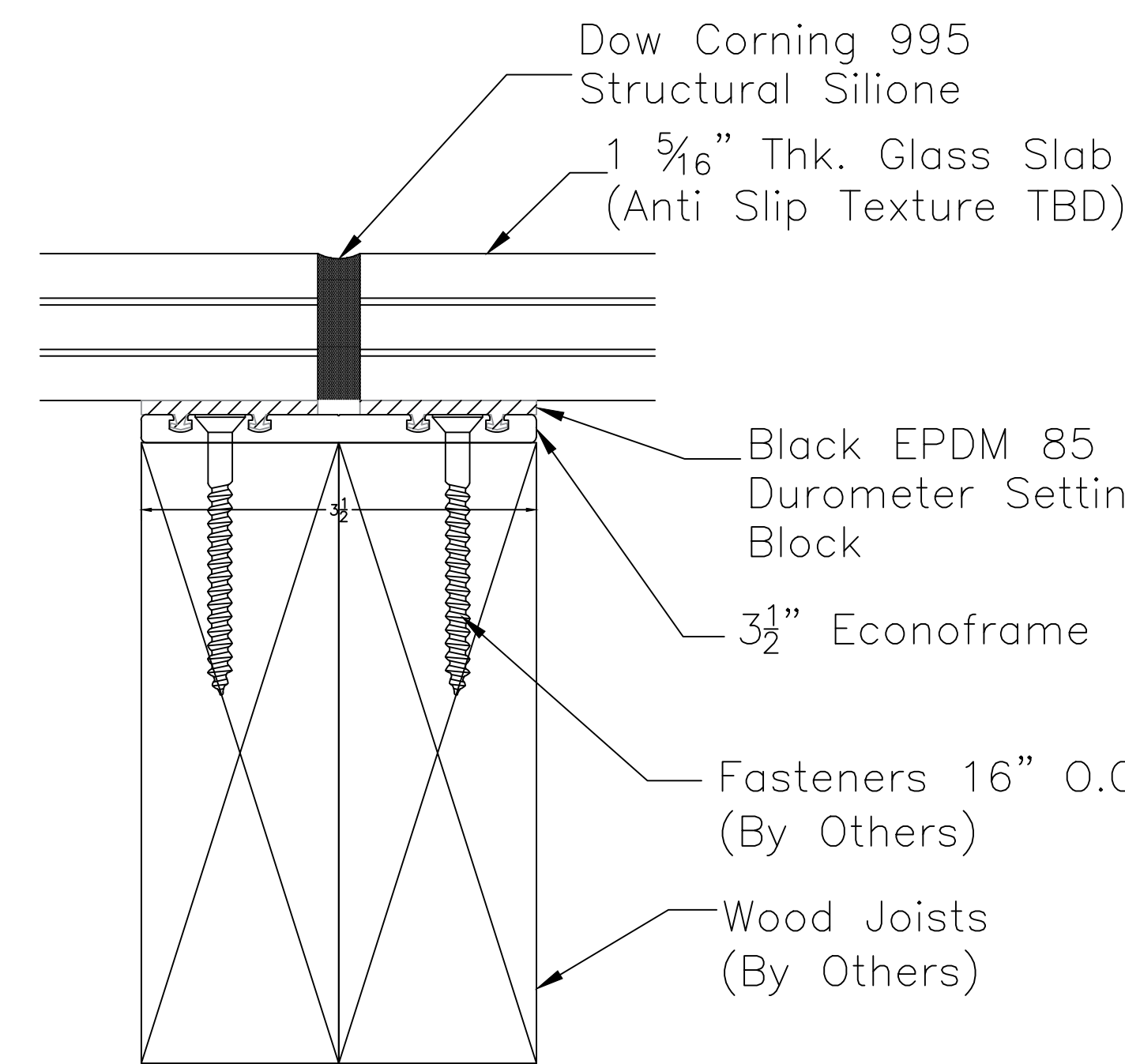
① E-Frame Details with Wood Joist Support



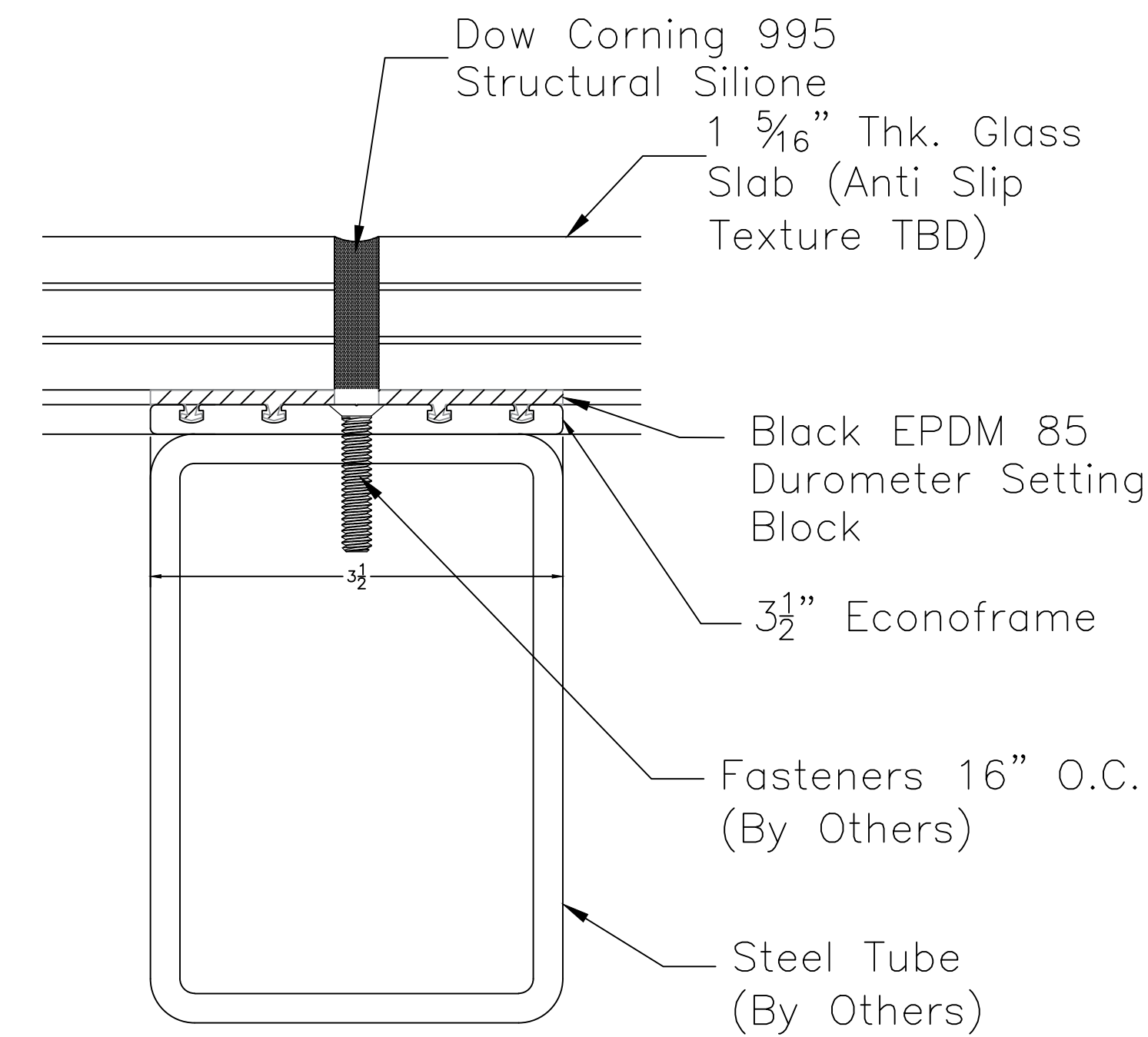
② E-Frame Details with Steel Joist Support



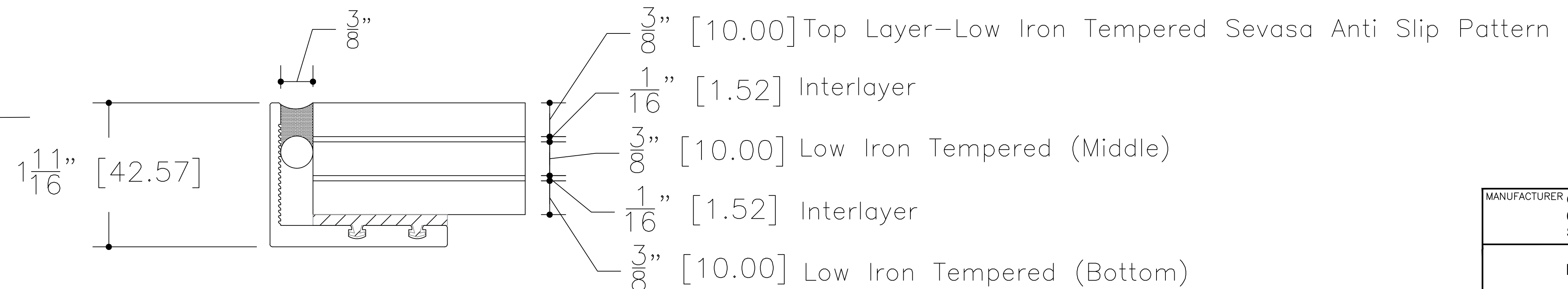
③ E-Frame Details with Steel Angle Support



①a Mullion with Wood Joist Support



②a Mullion with Steel Joist Support



Glass Make-up Detail

Patent #'s
 US 9,874,018
 US 9,909,309
 US 9,920,532
 US 9,797,140
 US 9,777,531
 US 9,598,867
 US 9,441,378