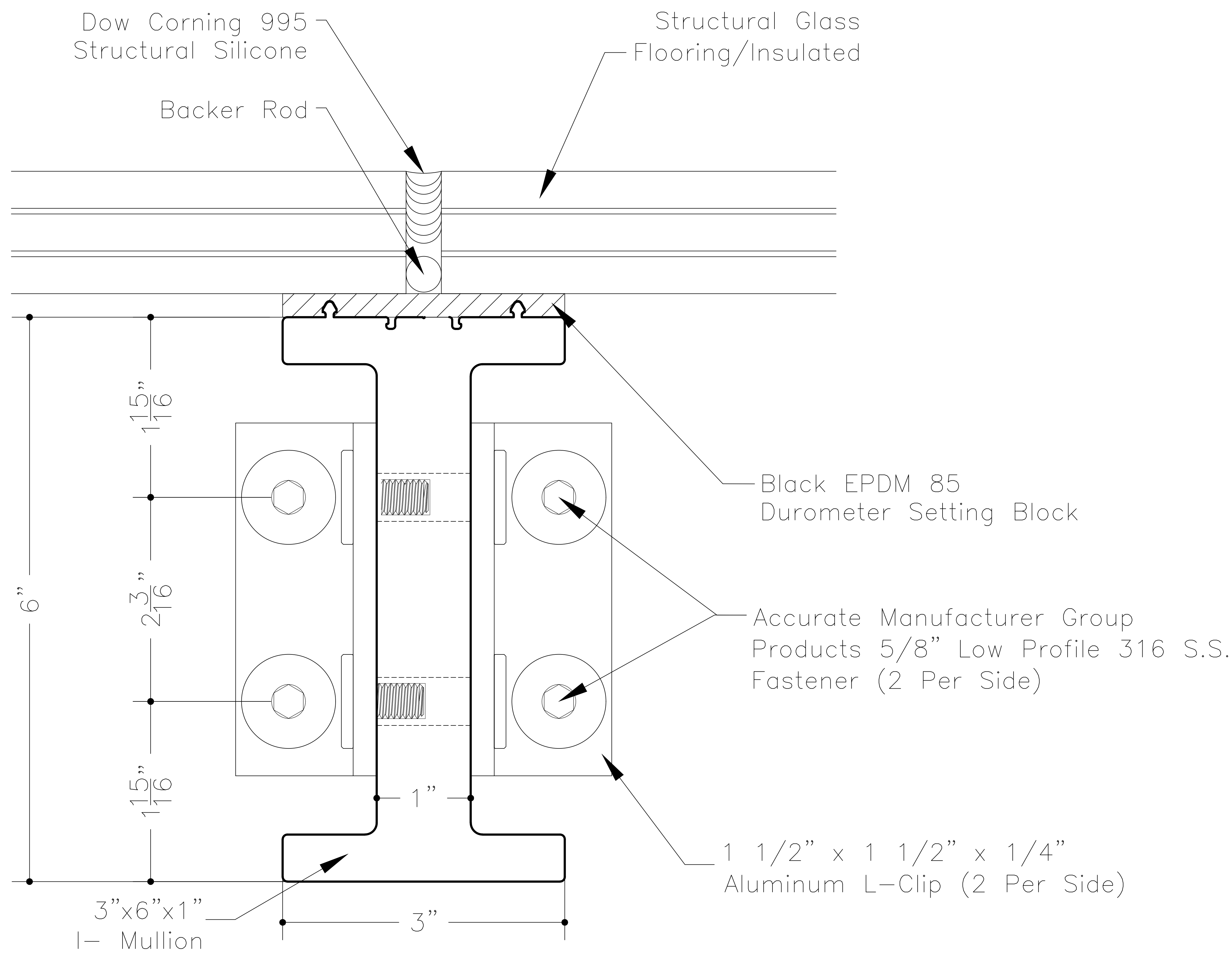


Patent #'s  
 US 9,874,018  
 US 9,909,309  
 US 9,920,532  
 US 9,797,140  
 US 9,777,531  
 US 9,598,867  
 US 9,441,378



SkyFloor® Series 1000 Non-Thermal I-Rafter



MANUFACTURER			Glass Flooring Systems, Inc. 6 Aaron Way Sparta, NJ 07871
TITLE			SkyFloor® Series 1000 Non-Thermal I-Rafter
SCALE:			NTS
DRAWN	DATE	PART NUMBER	SHEET
GFS	12/12/25	GFS-7	1 OF 1