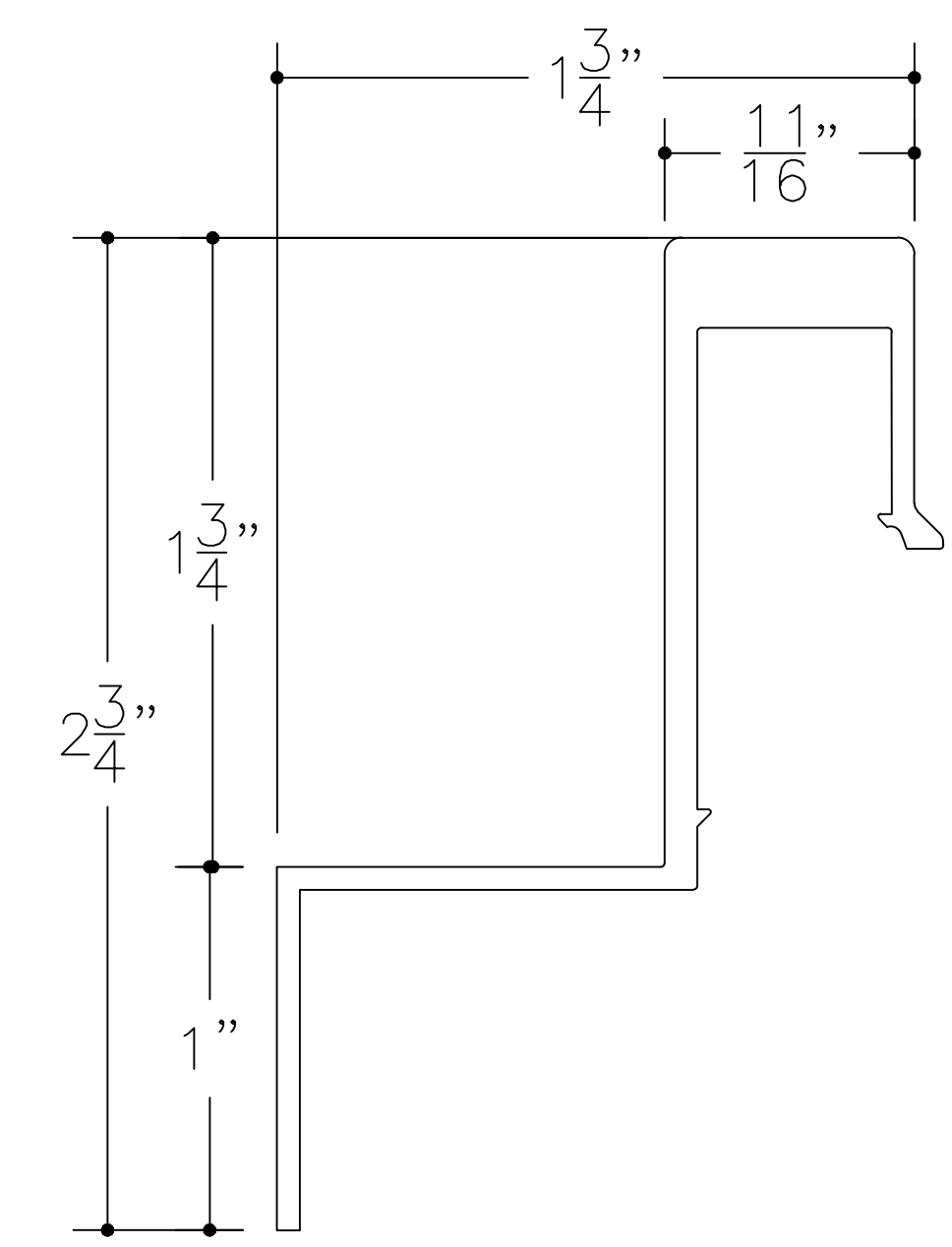
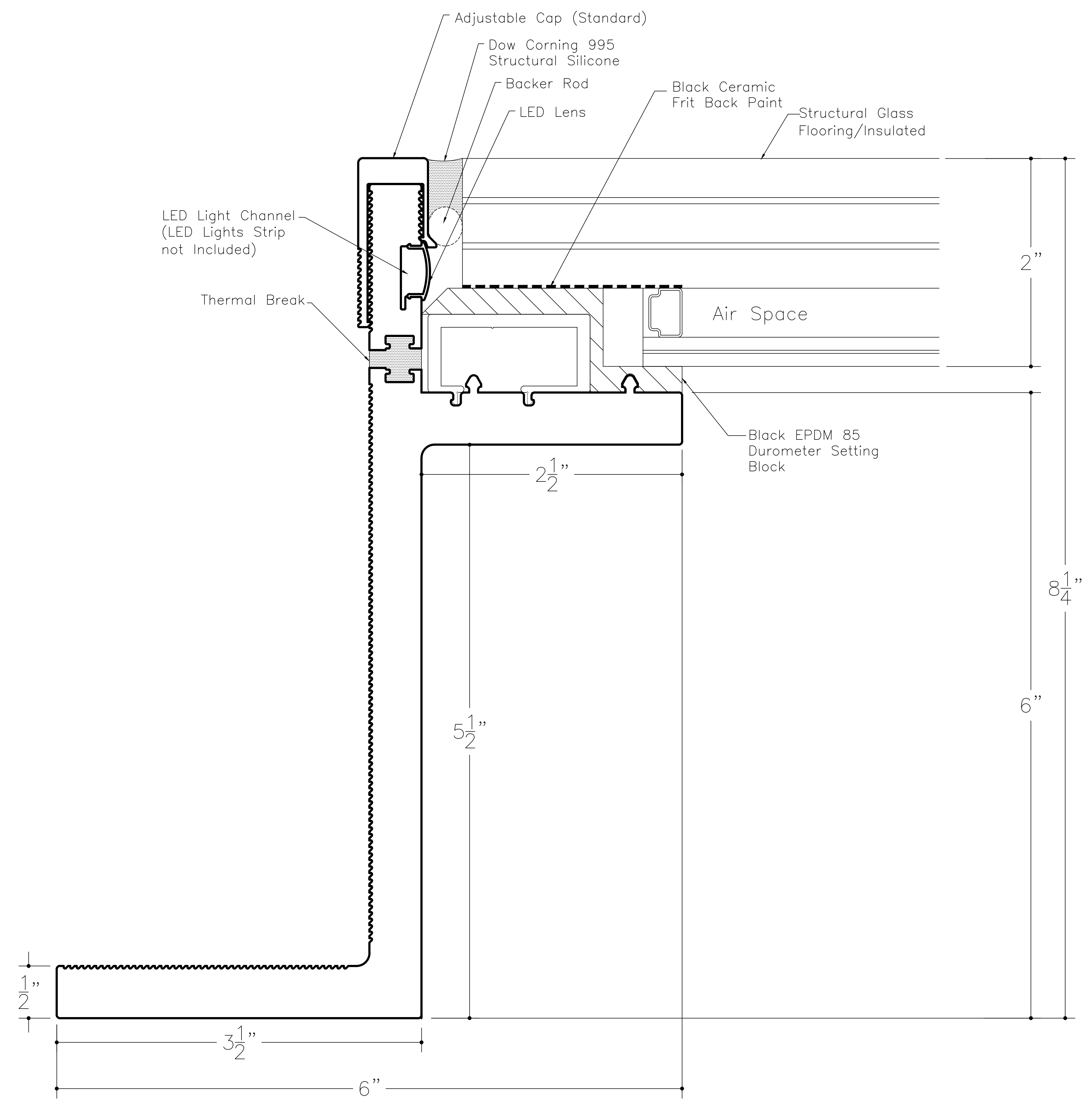


Patent #'s  
 US 9,874,018  
 US 9,909,309  
 US 9,920,532  
 US 9,797,140  
 US 9,777,531  
 US 9,598,867  
 US 9,441,378



Alternate Adjustable Cap (Optional)

SkyFloor® Series 1000 Pedestal Perimeter



MANUFACTURER Glass Flooring Systems, Inc. 6 Aaron Way Sparta, NJ 07871			
TITLE SkyFloor® Series 1000 Pedestal			
SCALE: NTS			
DRAWN GFS	DATE 12/12/25	PART NUMBER GFS- 5	SHEET 1 OF 1