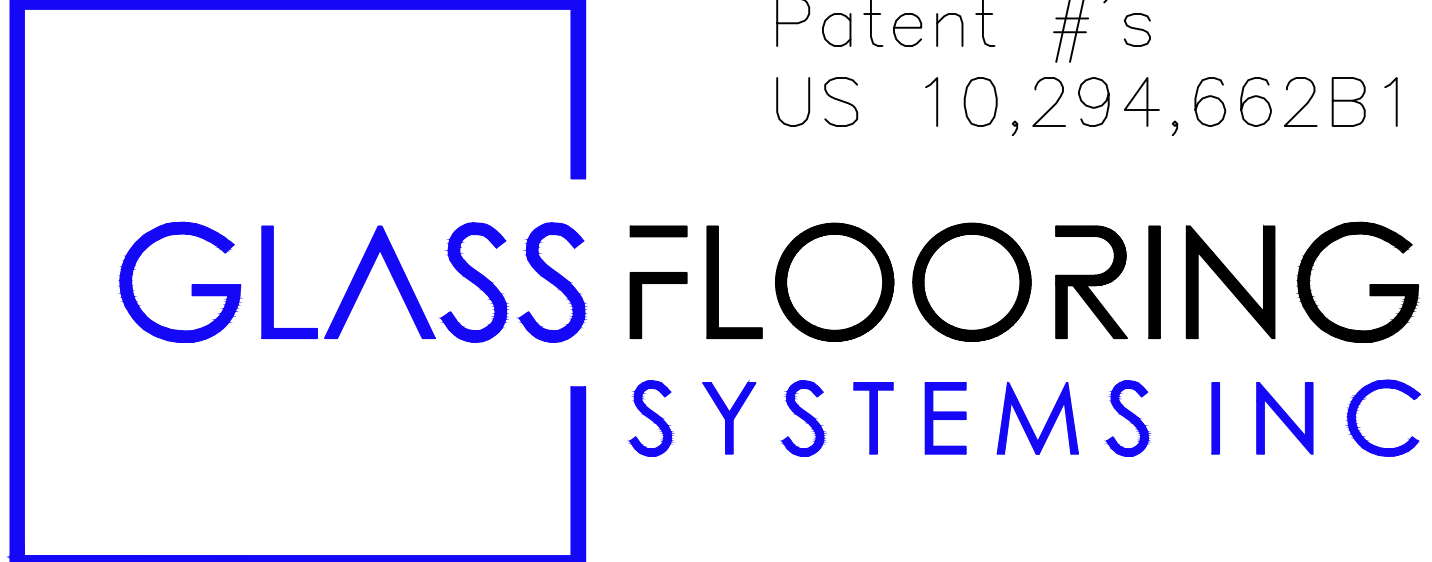


SKYFLOOR®

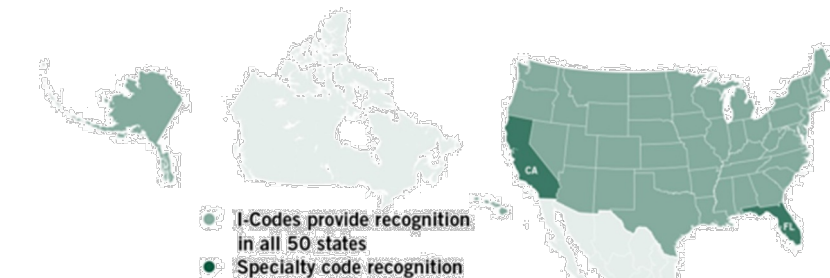
Modular Glass Deck System

Reinventing Decks With Walk On Glass

ICC-ES Evaluation Report ESR-5009

Glass Make-up	General Notes	Frame Components				
<p>Glazing Option A: 10mm top layer - Low Iron Tempered Yorlux (Top) 1.52mm interlayer DG Structural 10mm middle layer - Low Iron Tempered (Middle) 1.52mm interlayer DG Structural 10mm bottom layer - Low Iron Tempered with back painted border (Bottom)</p> <p>Glazing Option B: 10mm top layer - Low Iron Tempered NanoDot (Top) 1.52mm interlayer DG Structural 10mm middle layer - Low Iron Tempered (Middle) 1.52mm interlayer DG Structural 10mm bottom layer - Low Iron Tempered with back painted border (Bottom)</p>	<p>A. These drawings are the sole property of Glass Flooring Systems, Inc. and may not be used or duplicated without written consent from Glass Flooring Systems, Inc. Glass Flooring Systems, Inc. assumes no responsibility for work and or errors incurred by other trades through the use of these drawings.</p> <p>B. All items marked "by others" are not supplied by Glass Flooring Systems, Inc. and are shown for coordination and informational purposes only.</p> <p>C. Perimeter anchors, shims, backer rod, finish sealants and installation are the responsibility of the installer. Glass Flooring Systems, Inc. shall not accept any responsibility for such materials.</p> <p>D. Standard spacing between glass panels and between glass panels and frame are 3/8"</p> <p>E. User subject to "Terms and Conditions" in the user agreement for all products provided by Glass Flooring Systems Incorporate.</p>	<p>Perimeter Frame Type</p> <p>SkyFloor® Modular Glass Deck (Perimeter)</p> <p>Cross Beam Type</p> <p>3.5" SkyFloor® Modular Glass Deck (Flat Rafter Extrusion)</p>				
<p>Patent #'s US 10,294,662B1</p> 	<p>32" X 32" INDIVIDUAL GFS32X32YL & GFS32X32ND</p>	<p>Frame Finish</p> <p>Standard Black</p> <p><small>MANUFACTURER</small> Glass Flooring Systems, Inc. 6 Aaron Way Unit 1 Sparta, NJ 07871</p> <p><small>PROJECT</small> SkyFloor® Modular Glass Deck System - 32X32</p> <p><small>ALL ELEVATIONS ARE VIEWED FROM EXTERIOR / NOT TO SCALE</small></p> <table border="1"> <tr> <td><small>DRAWN</small> GFS</td> <td><small>DATE</small> 6/4/24</td> <td>GFS32X32YL & GFS32X32ND</td> <td><small>SHEET</small> 1 of 7</td> </tr> </table>	<small>DRAWN</small> GFS	<small>DATE</small> 6/4/24	GFS32X32YL & GFS32X32ND	<small>SHEET</small> 1 of 7
<small>DRAWN</small> GFS	<small>DATE</small> 6/4/24	GFS32X32YL & GFS32X32ND	<small>SHEET</small> 1 of 7			

ICC-ES Evaluation Report ESR-5009



www.icc-es.org | (800) 423-6587 | (562) 699-0543 A Subsidiary of the International Code Council®

ICC-ES Evaluation Report ESR-5009

Issued December 2022
This report is subject to renewal December 2023.

DIVISION: 09 00 00—FINISHES
Section: 09 62 83—Structural Glass Flooring

REPORT HOLDER:
GLASS FLOORING SYSTEMS, INC.

EVALUATION SUBJECT:
SKYFLOOR® MODULAR GLASS DECK SYSTEM

1.0 EVALUATION SCOPE
Compliance with the following codes:
2021, 2018 and 2015 International Building Code (IBC)
Property evaluated:
■ Structural

2.0 USES
The SkyFloor® Modular Deck System has been shown to comply with IBC 2409.1 for use in exterior deck systems.

3.0 DESCRIPTION:
The SkyFloor® Modular Deck System components consist of glass panels, silicone, backer rod, EPDM setting blocks and aluminum frames (6063 T6). The glass panels must be continuously supported around the perimeter.

3.1 Glass Panels:
The laminated glass panels must comply with ASTM C1172 and comply with Category II of CPSC 16 CFR Part 1201 or Class A of ANSI Z97.1.

The individual layers of the laminated glass panels must be Kind FT fully tempered glass complying with ASTM C1048.

The PVB interlayers must have a minimum shear modulus of 60 psi for T ≤ 122°F (0.414 MPa for T ≤ 50°C).

The glass panels must consist of three glass layers and two interlayers. Each glass layer must have a nominal thickness of 0.394 inch (10.00 mm). The minimum actual thickness must not be less than 0.355 inch (9.02 mm). The PVB interlayers must have a minimum 0.060-inch (1.52 mm) thickness. The overall nominal thickness must be 1.30 inches (33.0 mm). The maximum size of the glass panels must be 32 inches by 48 inches (813 mm by 1219 mm).

ICC-ES Evaluation Reports are not to be construed as representing aesthetics or any other attributes not specifically addressed, nor are they to be construed as an endorsement of the subject of the report or a recommendation for its use. There is no warranty by ICC Evaluation Service, LLC, express or implied, as to any finding or other matter in this report, or as to any product covered by the report.



Copyright © 2022 ICC Evaluation Service, LLC. All rights reserved.

Page 1 of 4

ESR-5009 | Most Widely Accepted and Trusted Page 2 of 4

6.2 Quality documentation in accordance with the ICC-ES Acceptance Criteria for Quality Documentation (AC10), dated January 2019.

7.0 IDENTIFICATION
7.1 The ICC-ES mark of conformity, electronic labeling, or the evaluation report number (ICC-ES ESR-5009) along with the name, registered trademark, or registered logo of the report holder [and/or listee] must be included in the product label. [Electronic labeling is the ICC-ES web address (www.icc-es.org) specific URL related to the report; or the ICC-ES machine-readable code placed on the aforementioned items.]
7.2 In addition, the SkyFloor® Modular Deck System components are packaged with a label bearing the report holder's name, product description; and the mark of conformity. The evaluation report number (ICC-ES ESR-4865) may be used in lieu of the mark of conformity.

The glass panels must also be identified as specified in this report and the applicable code.
7.3 The report holder's contact information is the following:
GLASS FLOORING SYSTEMS, INC.
6 AARON WAY
SPARTA, NEW JERSEY 07871
(862) 701-5320
www.glassflooringsystems.com
wayne@glassflooringsystems.com

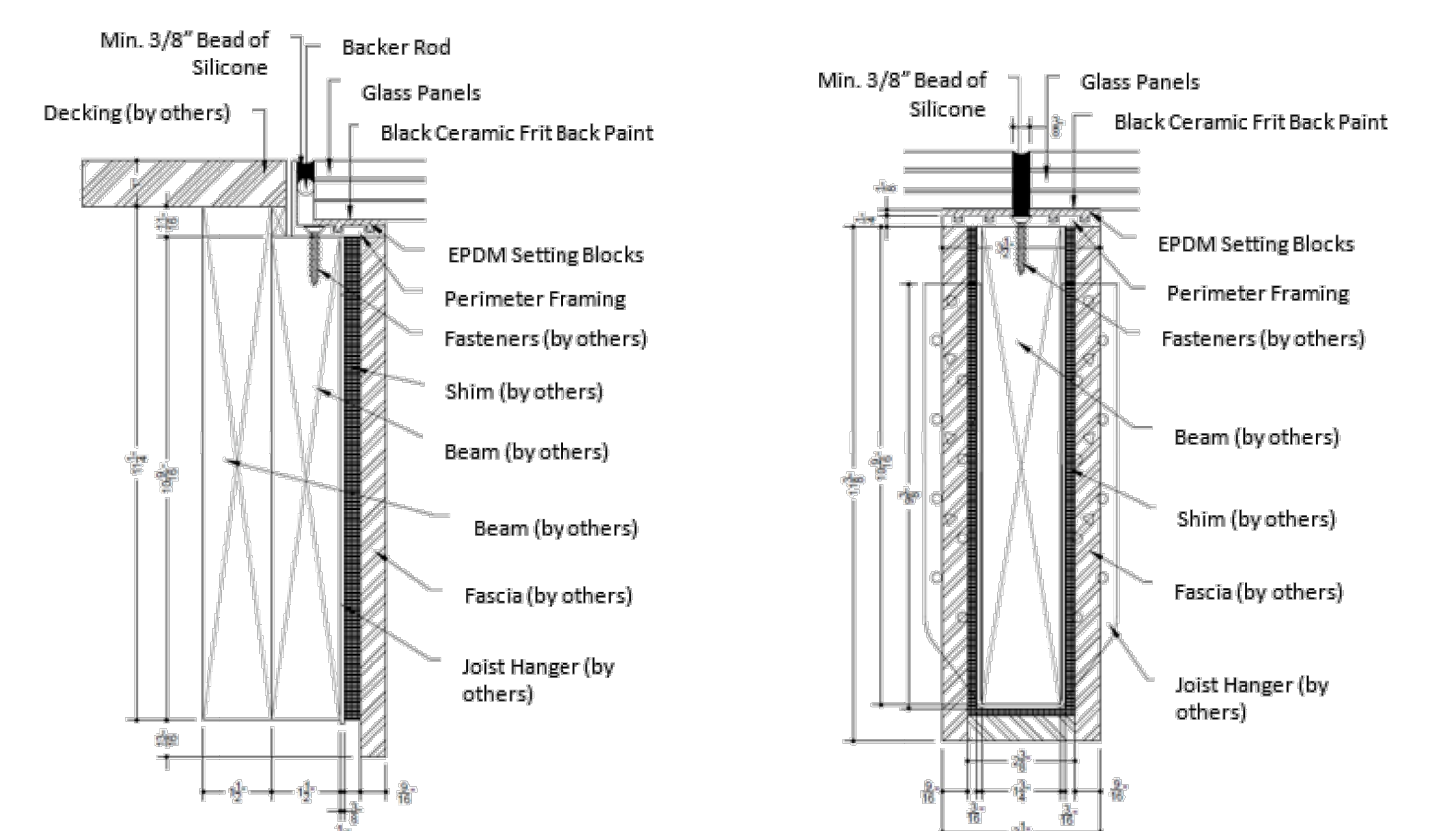


FIGURE 1 - PERIMETER DETAIL BETWEEN GLASS PANELS AND DECKING (except for silicone, dimensions are shown for illustrative purposes only)

FIGURE 2 - PERIMETER DETAIL BETWEEN ADJACENT GLASS PANELS (except for silicone, dimensions are shown for illustrative purposes only)

ICC-ES Evaluation Reports are not to be construed as representing aesthetics or any other attributes not specifically addressed, nor are they to be construed as an endorsement of the subject of the report or a recommendation for its use. There is no warranty by ICC Evaluation Service, LLC, express or implied, as to any finding or other matter in this report, or as to any product covered by the report.

Copyright © 2022 ICC Evaluation Service, LLC. All rights reserved.

Page 2 of 4



ICC-ES Evaluation Report ESR-5009 CBC Supplement

Issued December 2022
This report is subject to renewal December 2023.

www.icc-es.org | (800) 423-6587 | (562) 699-0543 A Subsidiary of the International Code Council®

DIVISION: 09 00 00—FINISHES
Section: 09 62 83—Structural Glass Flooring

REPORT HOLDER:
GLASS FLOORING SYSTEMS, INC.

EVALUATION SUBJECT:
SKYFLOOR® MODULAR GLASS DECK SYSTEM

1.0 REPORT PURPOSE AND SCOPE
Purpose:
The purpose of this evaluation report supplement is to indicate that the SkyFloor® Modular Deck System, described in ICC-ES evaluation report ESR-5009, has also been evaluated for compliance with the code(s) noted below.

Applicable code edition:
■ 2022 California Building Code (CBC)
For evaluation of applicable chapters adopted by the California Office of Statewide Health Planning and Development (OSHPD) AKA: California Department of Health Care Access and Information (HCAI) and Division of State Architect (DSA), see Sections 2.1.1 and 2.1.2 below.

2.0 CONCLUSIONS
2.1 CBC:
The SkyFloor® Modular Deck System, described in Sections 2.0 through 7.0 of the evaluation report ESR-5009, complies with CBC Chapters 16 and 24, provided the design and installation are in accordance with the 2021 International Building Code® (IBC) provisions noted in the evaluation report and the additional requirements of CBC Chapters 16 and 24, as applicable.
2.1.1 OSHPD: The applicable OSHPD Sections of the CBC are beyond the scope of this supplement.
2.1.2 DSA: The applicable DSA Sections of the CBC are beyond the scope of this supplement.
This supplement expires concurrently with the evaluation report, issued December 2022.

ICC-ES Evaluation Reports are not to be construed as representing aesthetics or any other attributes not specifically addressed, nor are they to be construed as an endorsement of the subject of the report or a recommendation for its use. There is no warranty by ICC Evaluation Service, LLC, express or implied, as to any finding or other matter in this report, or as to any product covered by the report.

Copyright © 2022 ICC Evaluation Service, LLC. All rights reserved.



Page 3 of 4



ICC-ES Evaluation Report ESR-5009 FBC Supplement

Issued December 2022
This report is subject to renewal December 2023.

www.icc-es.org | (800) 423-6587 | (562) 699-0543 A Subsidiary of the International Code Council®

DIVISION: 09 00 00—FINISHES
Section: 09 62 83—Structural Glass Flooring

REPORT HOLDER:
GLASS FLOORING SYSTEMS, INC.

EVALUATION SUBJECT:
SKYFLOOR® MODULAR GLASS DECK SYSTEM

1.0 REPORT PURPOSE AND SCOPE
Purpose:
The purpose of this evaluation report supplement is to indicate that SkyFloor® Modular Deck System, described in ICC-ES evaluation report ESR-5009, has also been evaluated for compliance with the codes noted below.

Applicable code editions:
■ 2020 Florida Building Code—Building
2.0 CONCLUSIONS
The SkyFloor® Modular Deck System, described in Sections 2.0 through 7.0 of ICC-ES evaluation report ESR-5009, complies with the 2020 Florida Building Code—Building. The design requirements must be determined in accordance with the Florida Building Code—Building. The installation requirements noted in ICC-ES evaluation report ESR-5009 for the 2018 International Building Code® meet the requirements of the Florida Building Code—Building, as applicable.
Use of the SkyFloor® Modular Deck System for compliance with the High-Velocity Hurricane Zone provisions of the Florida Building Code—Building has not been evaluated, and is outside the scope of this supplemental report.
For products falling under Florida Rule 61G20-3, verification that the report holder's quality assurance program is audited by a quality assurance entity approved by the Florida Building Commission for the type of inspections being conducted is the responsibility of an approved validation entity (or the code official when the report holder does not possess an approval by the Commission).
This supplement expires concurrently with the evaluation report, issued December 2022.

ICC-ES Evaluation Reports are not to be construed as representing aesthetics or any other attributes not specifically addressed, nor are they to be construed as an endorsement of the subject of the report or a recommendation for its use. There is no warranty by ICC Evaluation Service, LLC, express or implied, as to any finding or other matter in this report, or as to any product covered by the report.

Copyright © 2022 ICC Evaluation Service, LLC. All rights reserved.



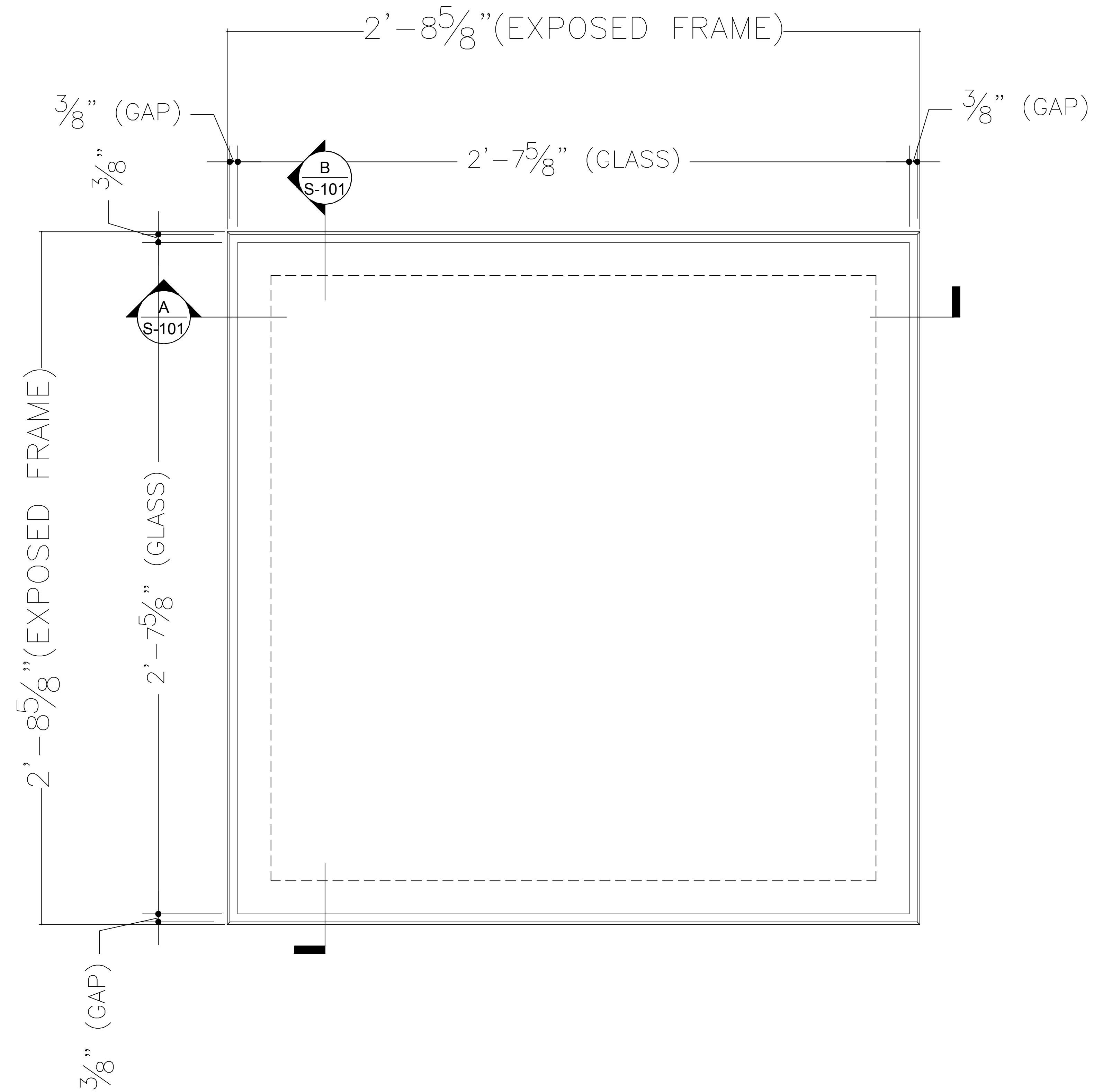
Page 4 of 4

GLASS FLOORING SYSTEMS INC

MANUFACTURER		Glass Flooring Systems, Inc. 6 Aaron Way Unit 1 Sparta, NJ 07871	
PROJECT		SkyFloor® Modular Glass Deck System - 32X32	
ALL ELEVATIONS ARE VIEWED FROM EXTERIOR / NOT TO SCALE			
DRAWN	DATE	GFS32X32YL & GFS32X32ND	SHEET
GFS	6/4/24		2 of 7

32x32 INDIVIDUAL UNIT

GFS32X32YL AND GFS32X32ND

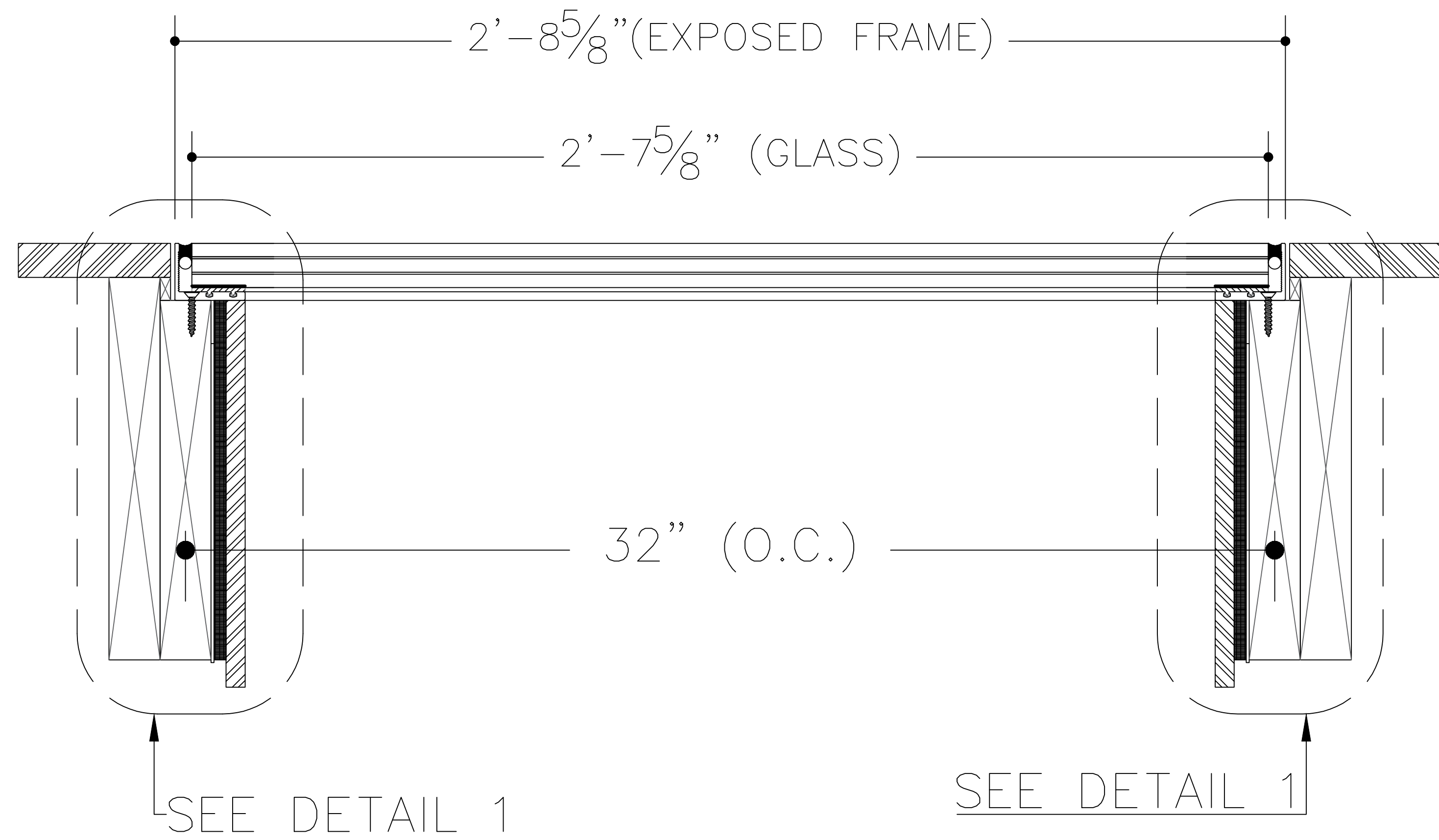


PLAN VIEW - INDIVIDUAL UNIT A

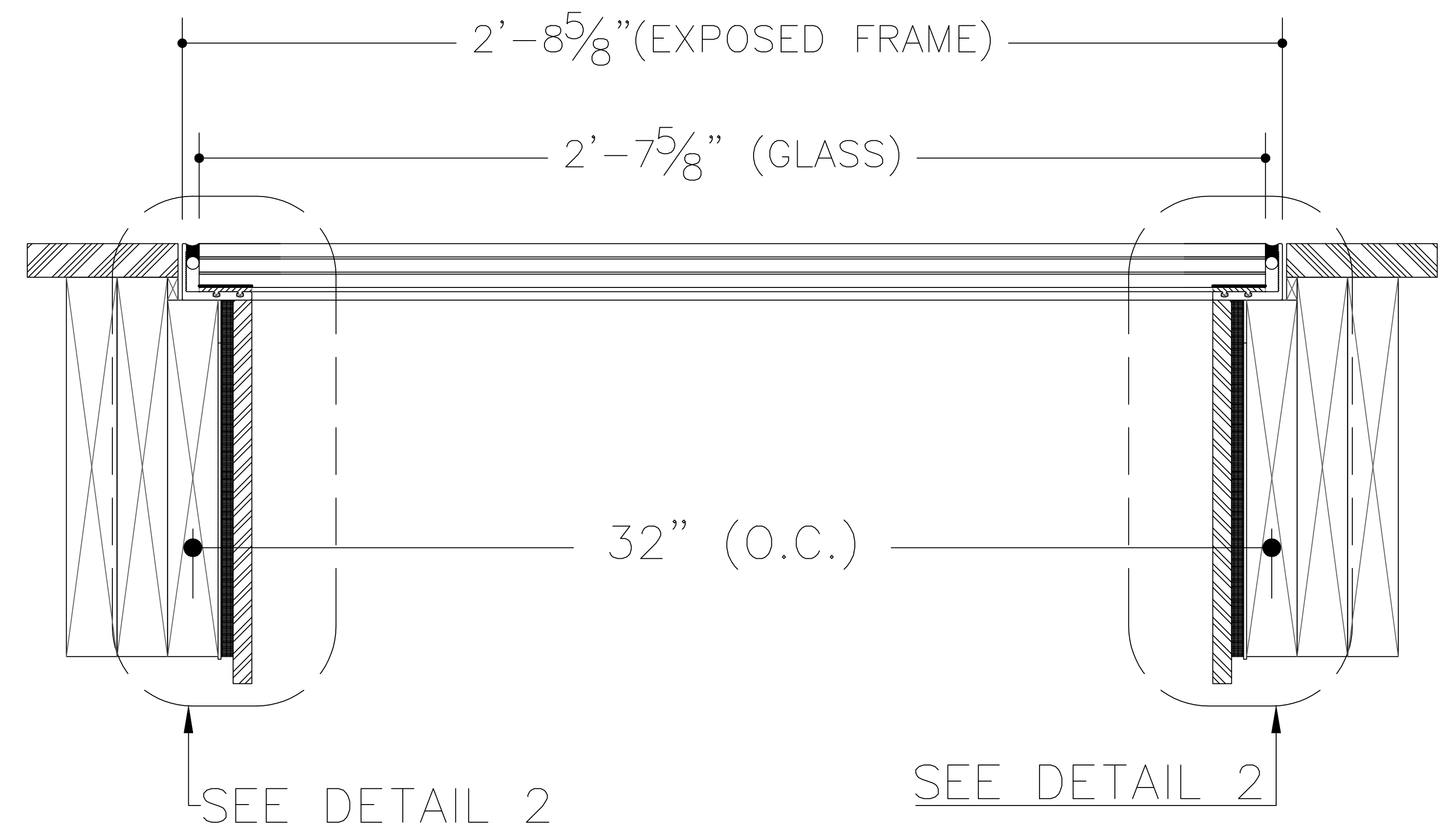
MANUFACTURER		Glass Flooring Systems, Inc. 6 Aaron Way Unit 1 Sparta, NJ 07871	
PROJECT		SkyFloor® Modular Glass Deck System - 32X32	
ALL ELEVATIONS ARE VIEWED FROM EXTERIOR / NOT TO SCALE			
DRAWN	DATE	GFS32X32YL & GFS32X32ND P-101	SHEET
GFS	6/4/24		3 of 7

32x32 INDIVIDUAL UNIT

GFS32X32YL AND GFS32X32ND



SECTION A - INDIVIDUAL UNIT A



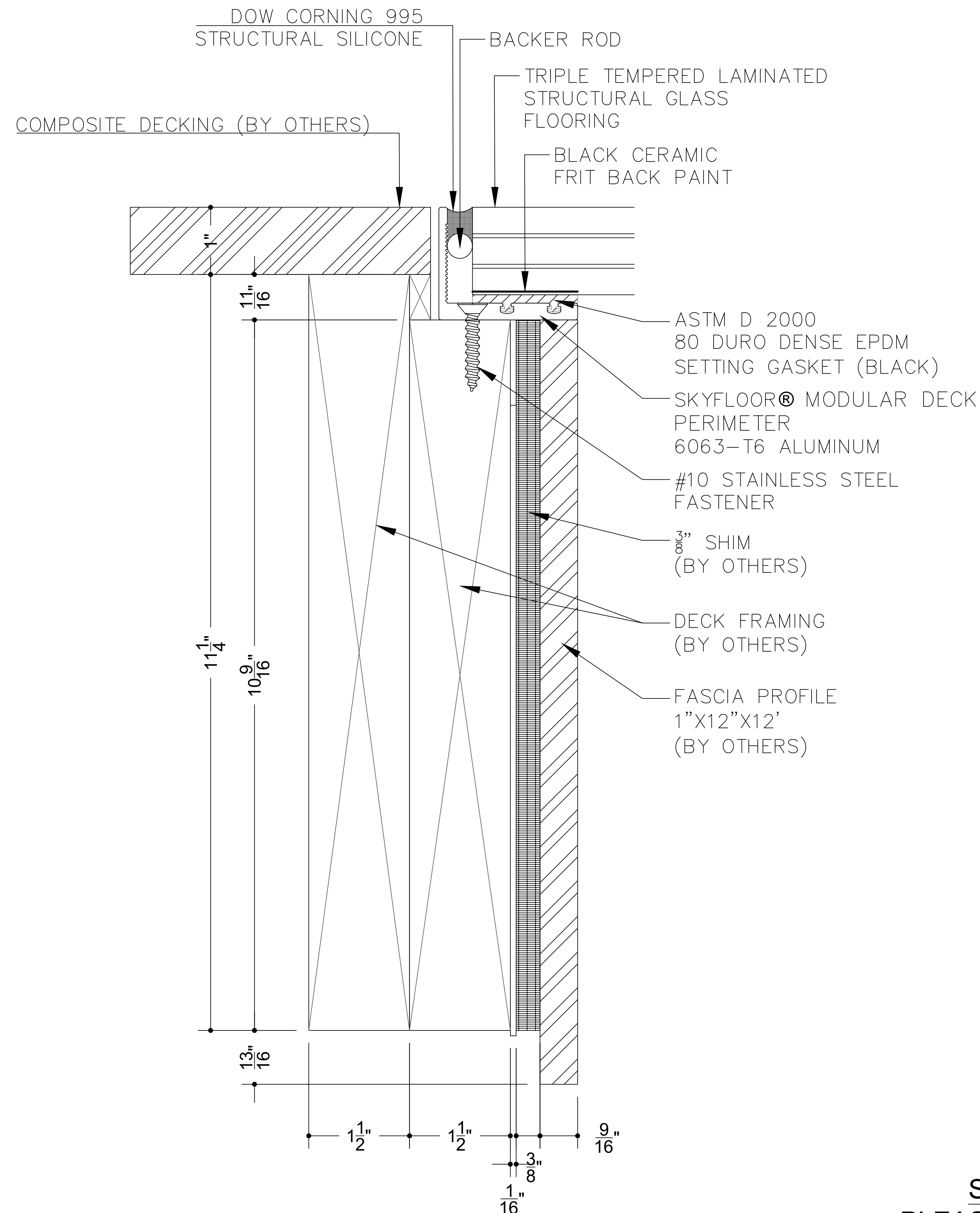
SECTION B - INDIVIDUAL UNIT A

**SUPPORT DECK FRAMING
SHOWN FOR EXAMPLE ONLY
PLEASE REFER TO DECK BUILDER FOR
ACCURATE FRAMING DETAIL**

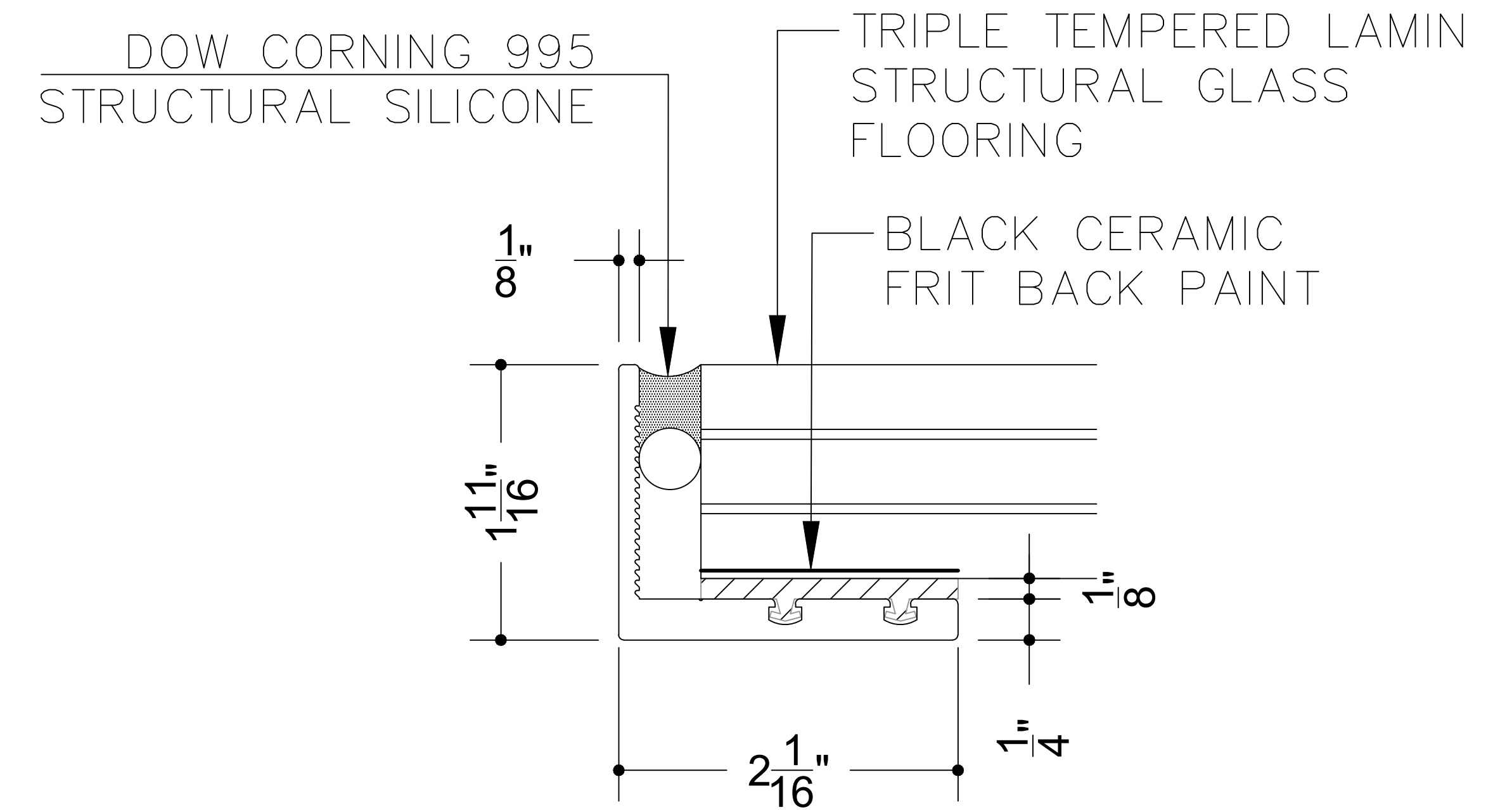
MANUFACTURER		Glass Flooring Systems, Inc. 6 Aaron Way Unit 1 Sparta, NJ 07871	
PROJECT		SkyFloor® Modular Glass Deck System - 32X32	
ALL ELEVATIONS ARE VIEWED FROM EXTERIOR / NOT TO SCALE			
DRAWN	DATE	GFS32X32YL & GFS32X32ND	S-101
GFS	6/4/24		4 of 7

32x32 INDIVIDUAL UNIT

GFS32X32YL AND GFS32X32ND



DETAIL 1 - SKYFLOOR® MODULAR GLASS DECK PERIMETER



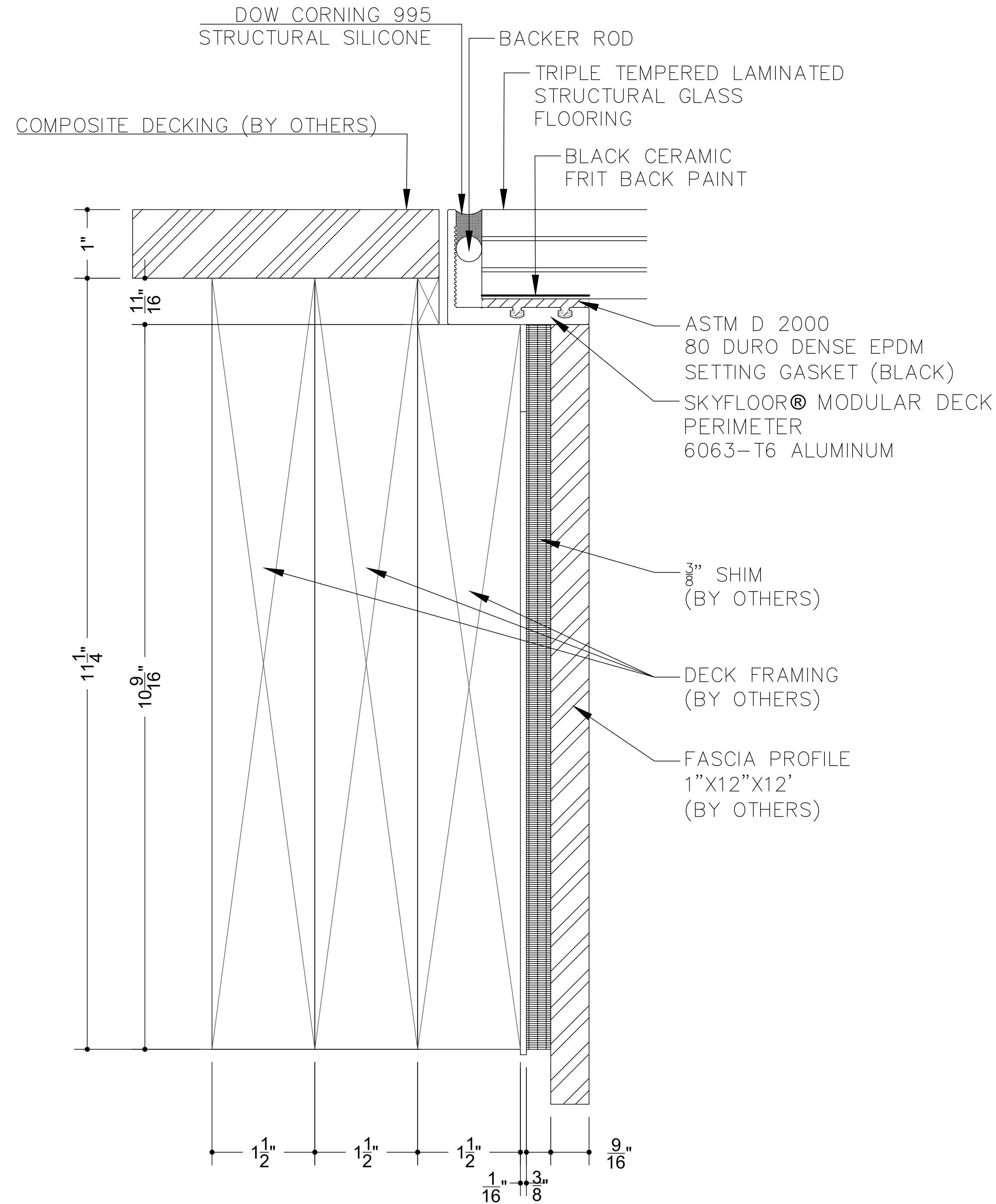
DETAIL - SKYFLOOR® MODULAR GLASS DECK PERIMETER

**SUPPORT DECK FRAMING
SHOWN FOR EXAMPLE ONLY
PLEASE REFER TO DECK BUILDER FOR
ACCURATE FRAMING DETAIL**

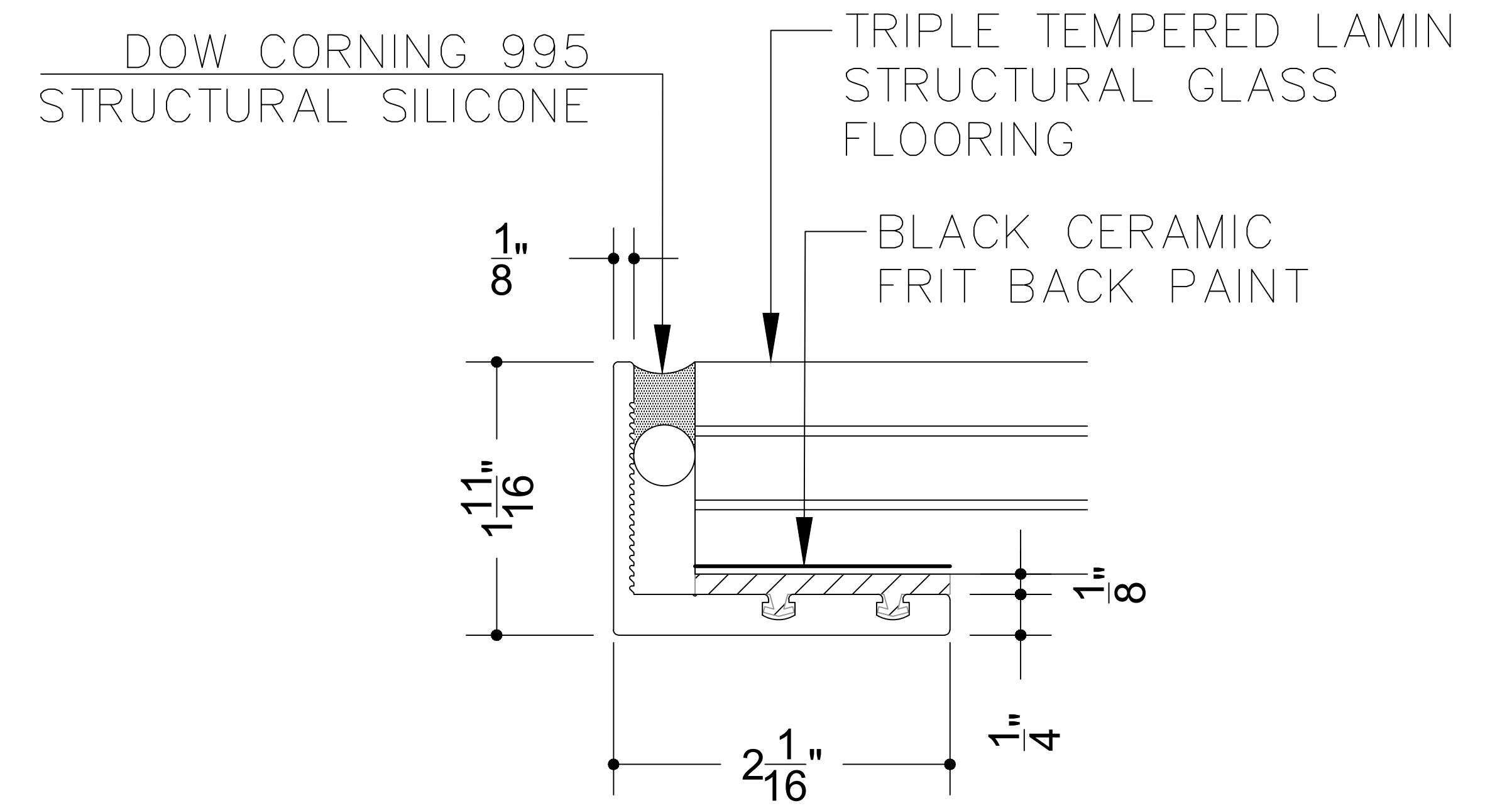
MANUFACTURER		Glass Flooring Systems, Inc. 6 Aaron Way Unit 1 Sparta, NJ 07871	
PROJECT		SkyFloor® Modular Glass Deck System - 32X32	
ALL ELEVATIONS ARE VIEWED FROM EXTERIOR / NOT TO SCALE			
DRAWN	DATE	GFS32X32YL & GFS32X32ND S-102	SHEET
GFS	6/4/24		5 of 7

32x32 INDIVIDUAL UNIT

GFS32X32YL AND GFS32X32ND



DETAIL 2 - SKYFLOOR® MODULAR GLASS DECK PERIMETER



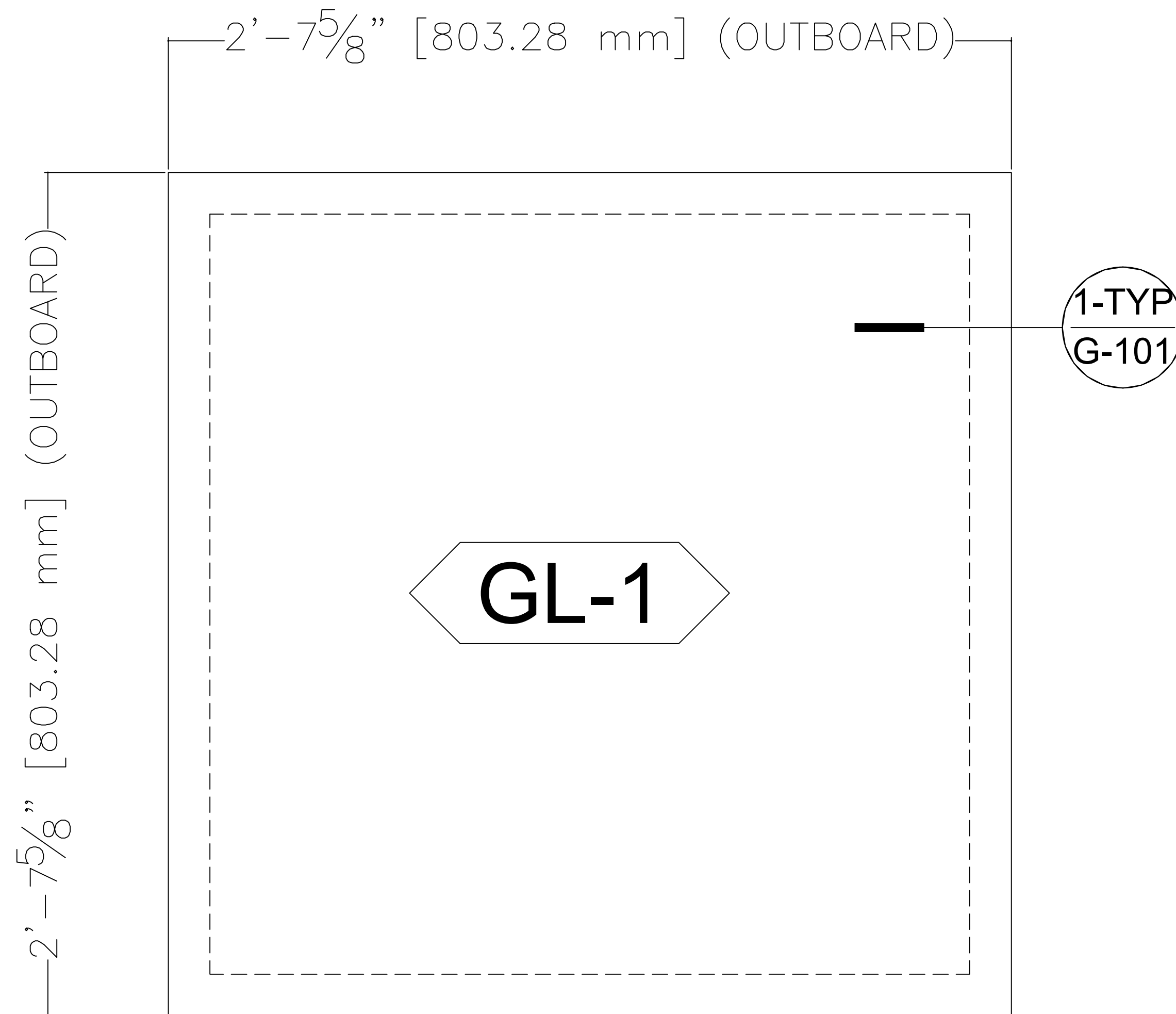
DETAIL - SKYFLOOR® MODULAR GLASS DECK PERIMETER

**SUPPORT DECK FRAMING
SHOWN FOR EXAMPLE ONLY
PLEASE REFER TO DECK BUILDER FOR
ACCURATE FRAMING DETAIL**

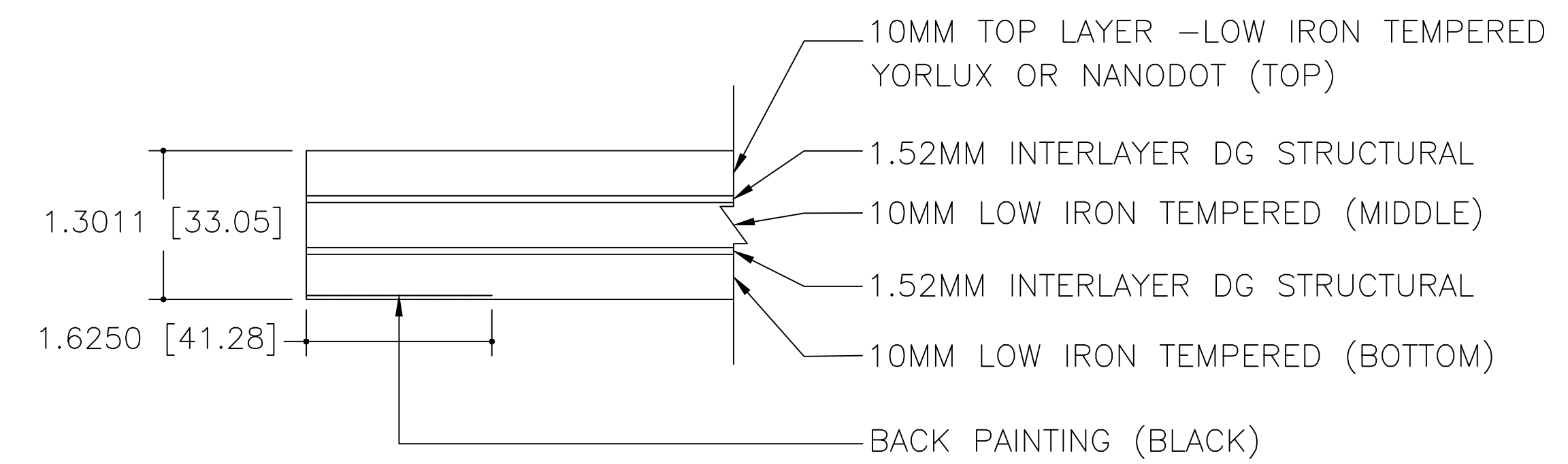
MANUFACTURER		Glass Flooring Systems, Inc. 6 Aaron Way Unit 1 Sparta, NJ 07871	
PROJECT		SkyFloor® Modular Glass Deck System - 32X32	
ALL ELEVATIONS ARE VIEWED FROM EXTERIOR / NOT TO SCALE			
DRAWN	DATE	GFS32X32YL & GFS32X32ND	S-103
GFS	6/4/24		6 of 7

32x32 INDIVIDUAL UNIT

GFS32X32YL AND GFS32X32ND



PLAN VIEW - INDIVIDUAL UNIT A GLASS (QTY 1)



DETAIL - GLASS ASSEMBLY

GLASS TEXTURES

- YORLUX™
- NANODOT®